



ZENITH

POWER PRODUCTS

**Service Parts Manual
NA690 / TA690**

Availability & Shipping Information



- Part Availability is subject to change based on obsolescence from Original Part Manufacturer.
- Orders on in-stock parts will ship the following day. Rush orders may ship same day. Please request if needed. Expedite charges may apply.
 - ZPP utilizes UPS small package service (preferred carrier) on a 5-day-per-week basis with noon pick-ups.
 - ZPP also contracts with FedEx Ground and Express services for small packages. Express packages (Air and International) ship same day while Ground packages will be picked up the day after the shipment is processed.
- Orders on in-stock items that require LTL shipping services will ship the following day.
- Customers have the option of using their own collect account or being invoiced for the freight charges.
- DHL is also an option for international packages.
- All shipments are FOB origin shipping point (this includes any drop-shipments made from ZPP's suppliers).
- Expedited Charges may apply to rushed orders.

Engine Sub-system Index



Engine Subsystem	Page	Engine Subsystem	Page
Recommended Parts Stock List	4	Thermostat Group	27
Cylinder Block Group	5	Coolant Line Group	28
Cylinder Block Group - Cont.	7	Crankcase Vent Group	29
Gear Housing Group	9	Miscellaneous Parts Group	30
Flywheel Housing Group	11		
Oil Pan Group	13	Enclosure Panels / Skid Group	31
Cylinder Head Group	14	Support Group – OPU	33
Piston / Connecting Rod Group	16	Oil Leveler Group	37
Crankshaft Group	17	Intake Group	39
Flywheel Group	18	Exhaust Group – 690NA	44
Starting System Group	19	Fuel Group	50
Air Intake Group	20	Cooling Group	54
Exhaust Group	22	Miscellaneous Parts	60
Front Gear System Group	24	Service Kits	62
Oil Lines Group	26		

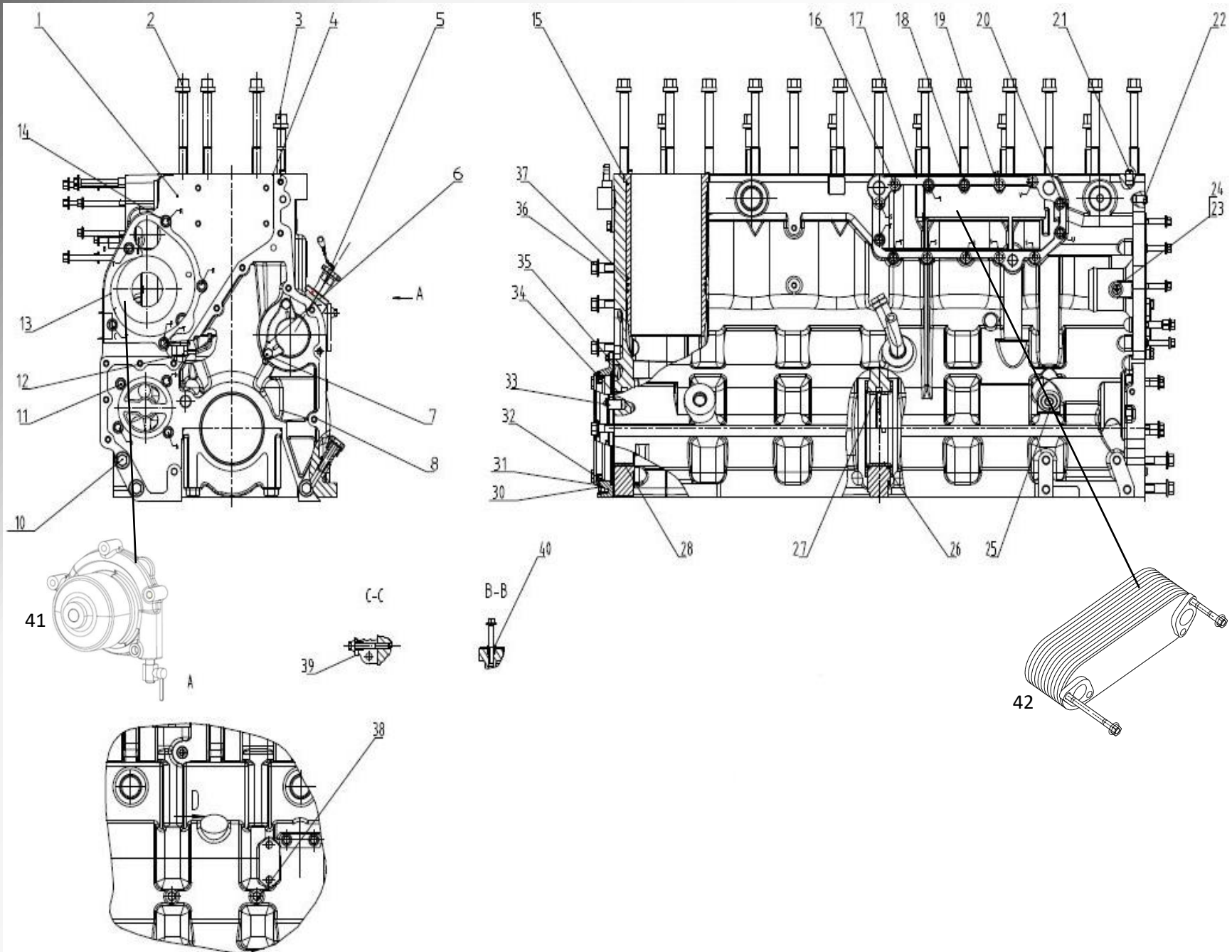
Recommended Parts Stock List



Part Number	Description
201050	AIR CLEANER ASSEMBLY – OPU
202186	AIR CLEANER – PRIMARY ELEMENT
201051	AIR CLEANER – SECONDARY ELEMENT
200571	ALTERNATOR
202286	CAM POSITION SENSOR
200875	CATALYST GASKET
200500	CATALYST
202161	COOLANT TEMP SENSOR
204204	ECU – 70 PIN WOODWARD
200577	FAN / ALTERNATOR BELT
201475	FUEL CONTROL VALVE
200879	FUEL CONTROL GASKET
203172	FUEL LOCK-OFF
200452	IGNITION COIL – 24V
201071	IGNITION WIRE SET
201388	LOW COOLANT ALARM SWITCH
200630	MAP SENSOR
201428	R600S 1” NPT REGULATOR – NG
203320	R600SZF 1” NPT REGULATOR – LP
201372	OIL FILTER
201390	OIL PRESSURE SENSOR
201280	POST-CAT O2 SENSOR
200474	PRE-CAT O2 SENSOR
200877	T4 FLANGE GASKET
203253	TURBO OIL DRAIN GASKET

Part Number	Description
201037	FAN
201234	RADIATOR – 690 TA
201233	RADIATOR – 690 NA
201004	SPARK PLUG
200570	STARTER
202212	THROTTLE BODY GASKET
200581	THERMOSTAT GASKET
200580	THERMOSTAT
200579	THERMOSTAT OUTLET HOUSING
200705	THROTTLE BODY
200295	WATER PUMP
200548	WATER PUMP GASKET
200582	WATER FILTER
201265	WIRING HARNESS
202286	CAM SENSOR
202287	CRANK SENSOR
202448	DONALDSON AIR CLEANER - EPU
203200	DONALDSON PRIMARY ELEMENT
203201	DONALDSON SECONDARY ELEMENT
204058	CHARGE AIR COOLER – 690 TA

Cylinder Block Group

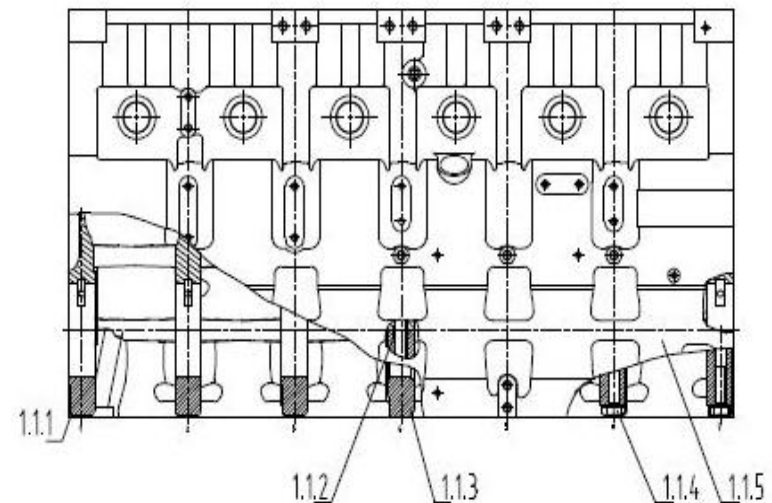
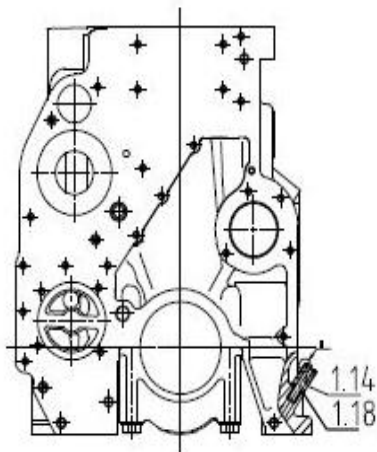
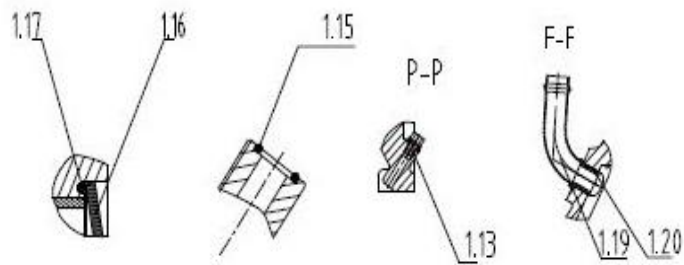
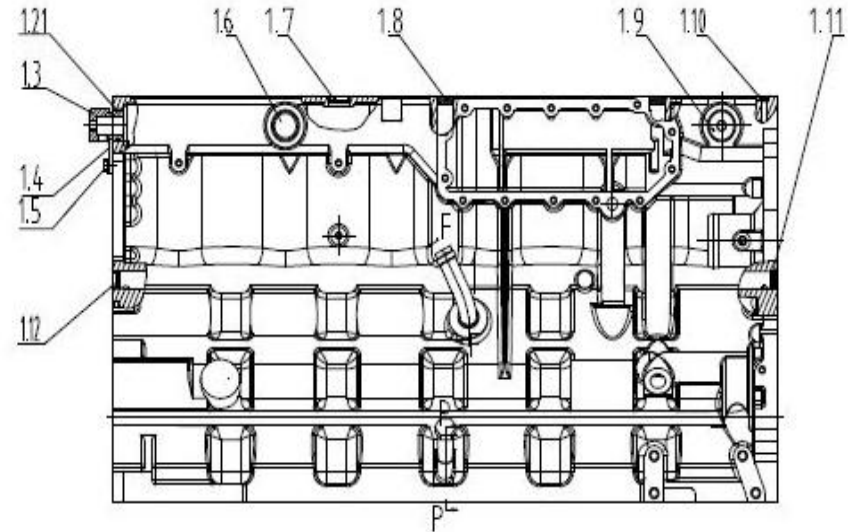
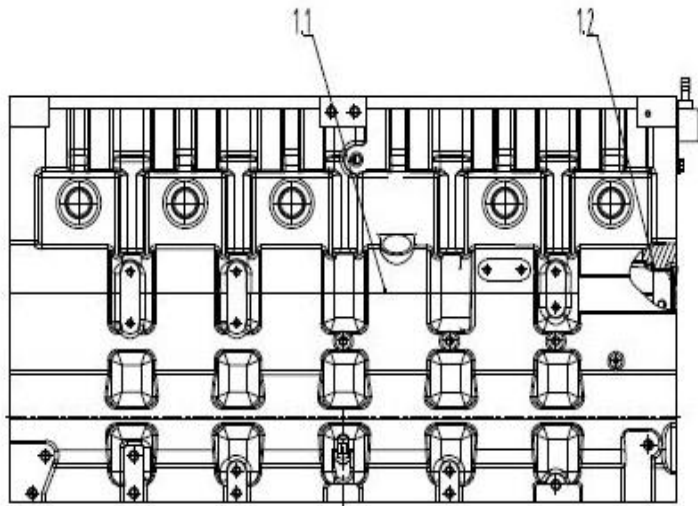


Cylinder Block Group

Item No	Part Number	Description	Qty
1	100020	LONG BLOCK ASSEMBLY	1
2	200538	CYLINDER HEAD BOLT (LONG)	20
3	200626	CYLINDER HEAD BOLT (SHORT)	6
4	200539	CYLINDER HEAD GASKET	1
5	D02A-004-01	PORT ASSY, OIL FILLER	1
6	200543	CAMSHAFT THRUST PLATE	1
7	B00000631	HEXAGON HEAD BOLT	2
8	200546	GEAR HOUSING GASKET	1
10	B00002062	HEX HEAD BOLT	4
11	B00002142	HEX HEAD BOLT	4
12	204299	PISTON-COOLING ORIFICE ASSY	6
13	200548	WATER PUMP GASKET	1
14	B00002150	HEX HEAD BOLT	2
15	200621	CYLINDER LINER	6
16	D02A-306-01A	HEX HEAD BOLT	6
17	200547	OIL COOLER GASKET	1
18	B00002153	HEX HEAD BOLT	7
19	D02A-311-01	HEX HEAD BOLT	2
20	B00002165	HEX HEAD BOLT	2

Item No	Part Number	Description	Qty
21	204292	PIN	2
22	204338	PIN	2
23	B00001724	HEXAGON PIPE PLUG	1
24	B00001545	RUBBER COATED HARD WASHER	1
25	D02A-163-01	HEXAGON COUNTERSUNK PIPE PLUG	1
26	200549	THRUST BEARING (LOWER), CRANKSHAFT	1
27	200541	THRUST BEARING (UPPER), CRANKSHAFT	1
28	200542	LOWER MAIN BEARING	6
30	D02A-115-01B	BACK COVER	1
31	200544	O-RING, BACK COVER	1
32	202782	CRANKSHAFT REAR SEAL	1
33	B00001657	PIN	2
34	200540	UPPER MAIN BEARING	6
35	B00002114	HEX HEAD BOLT	8
36	B00002058	HEX HEAD BOLT	12
37	204066	SEAL, CYLINDER LINER	18
38	D02A-166-01	PIPE PLUG	2
39	B00001811	ENLARGED ROUGH WASHER	3
40	B00001020	ELASTIC PIN	3
41	200295	WATER PUMP	1
42	203691	OIL COOLER	1

Cylinder Block Group

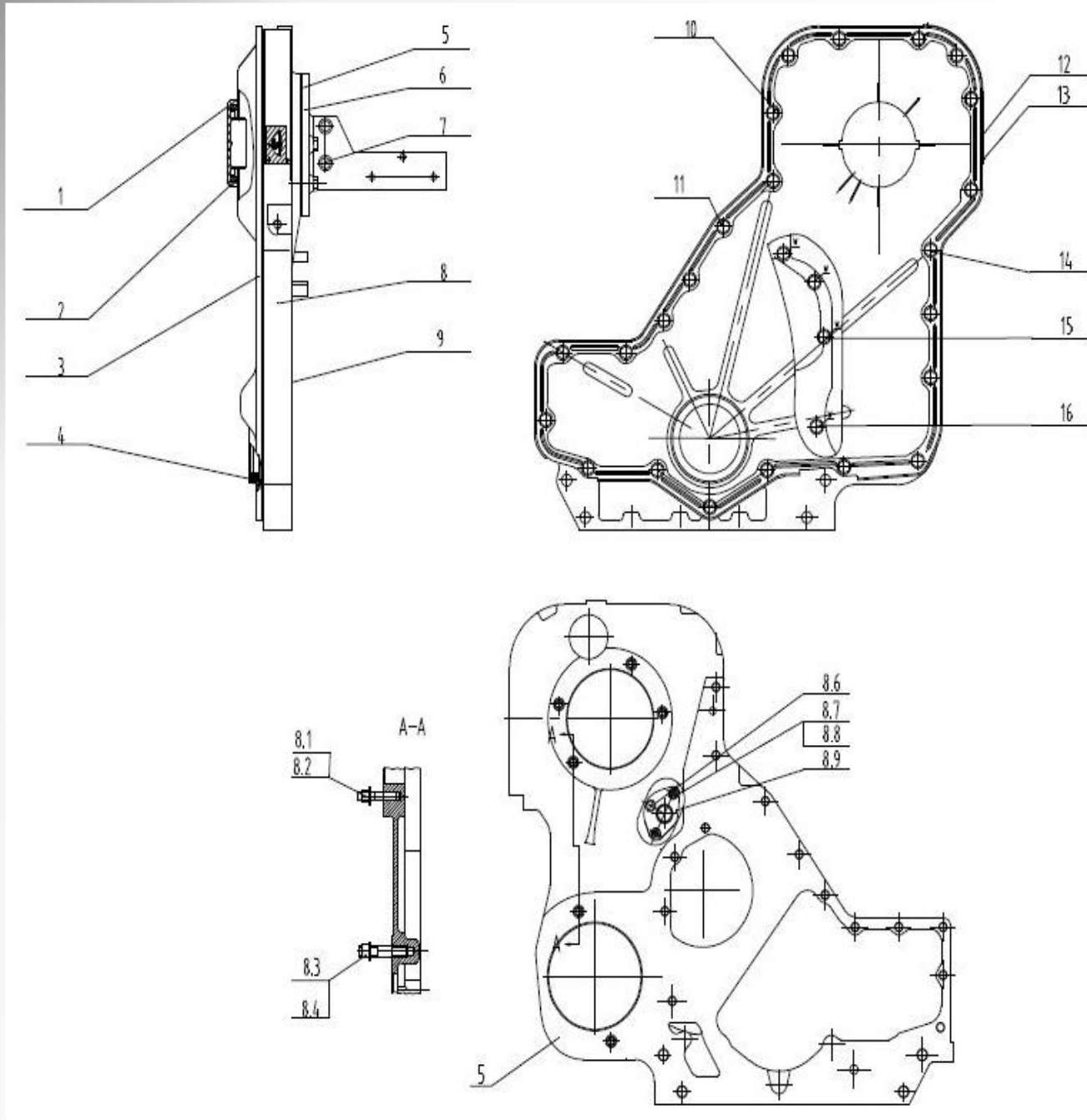


Cylinder Block Group



Item No	Part Number	Description	Qty
1.1.1	D02A-105-31	CAP, MAIN BEARING	6
1.1.2	D02A-322-40	RETAINER SLEEVE	2
1.1.3	D02A-105-40	CAP, MAIN BEARING	1
1.1.4	204387	BOLT, MAIN BEARING CAP	14
1.1.5	D02A-101-40	CYLINDER BLOCK	1
1.2	204371	BUSHING, CAMSHAFT	7
1.6	D04-167-01A	PLUG	8
1.7	D04-166-01A	PLUG	2
1.8	D02A-161-31	PLUG	2
1.9	D02A-308-01	PLUG	2
1.10	D02A-309-01	PLUG	1
1.11	204333	PLUG	1
1.12	D02A-161-01	PLUG	1
1.13	D02A-170-01	PIPE PLUG	1
1.14	204168	OIL FILLER TUBE (WITH DIPSTICK)	1
1.15	D28-107-01	O-RING	1
1.16	D02A-162-40	CAMSHAFT PLUG	1
1.17	D02A-324-40	O-RING	1
1.18	B00001546	RUBBER COATED HARD WASHER	2
1.19	204317	OIL RETURN PIPE	1
1.20	204318	O-RING	2

Gear Housing Group

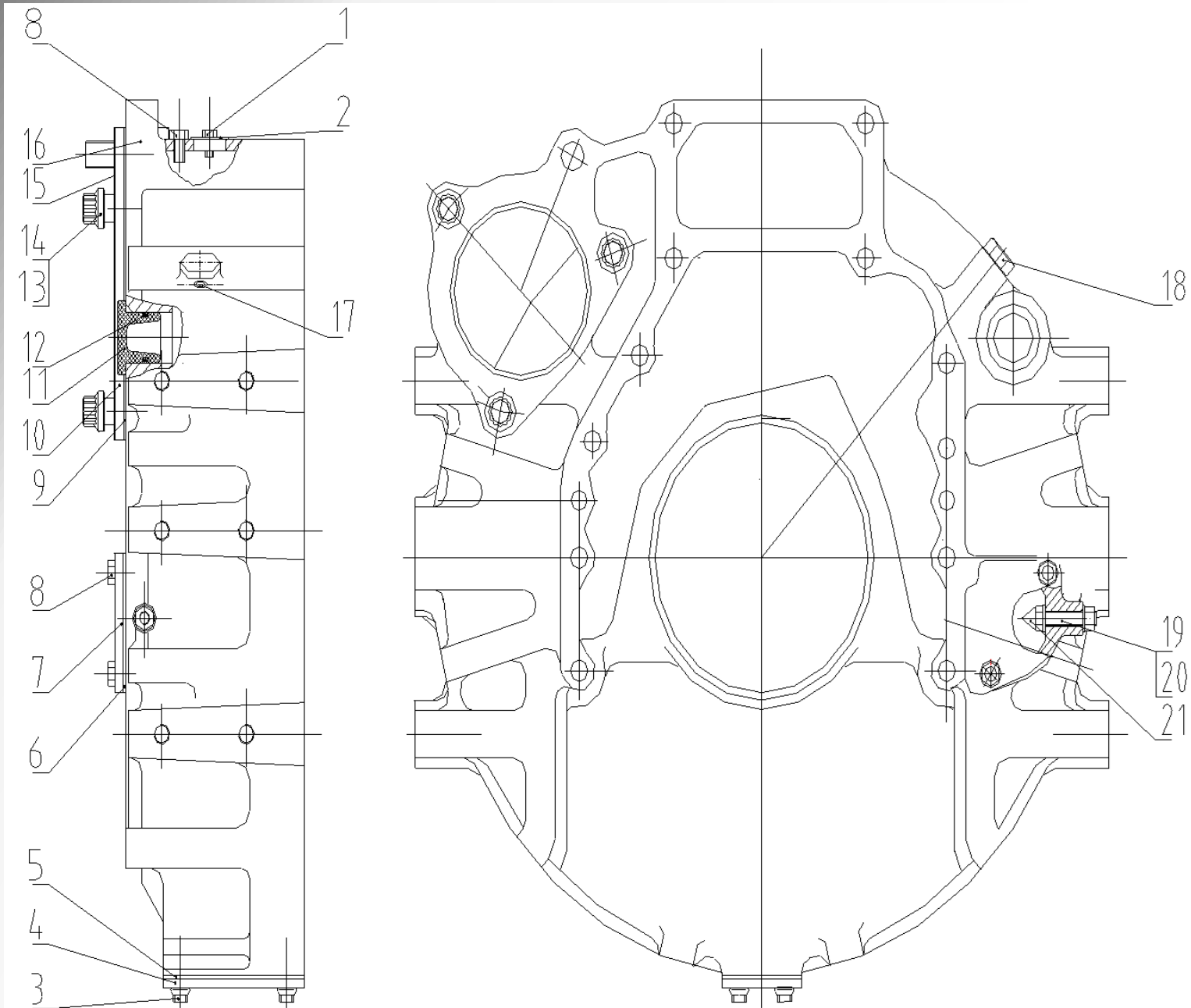


Gear Housing Group



Item No	Part Number	Description	Qty
1	204289	COVER ASSY, OIL FILLER	1
2	204290	O-RING,SCREW CAP	1
3	D02B-102-40	COVER, GEAR HOUSING	1
4	200550	CRANKSHAFT FRONT SEAL	1
5	T02B-108-40	GOVERNOR BRACKET GASKET	1
6	T02B-107-40	GOVERNOR BRACKET	1
7	B00000833	HEX HEAD BOLT	2
8	T02B-001-40	HOUSING, GEAR(ASSEMBLED)	1
9	D02B-106-40	PTO GASKET	1
10	B00002150	HEX HEAD BOLT	9
11	B00002147	HEX HEAD BOLT	1
12	S00010775	NAMEPLATE	1
13	B00000958	NAMEPLATE RIVET	4
14	D02B-300-01	HEX HEAD BOLT	15
15	B00002134	HEX HEAD BOLT	3
16	B00002142	HEX HEAD BOLT	1
17	D02B-105-40	PLATE, PTO	1

Flywheel Housing Group



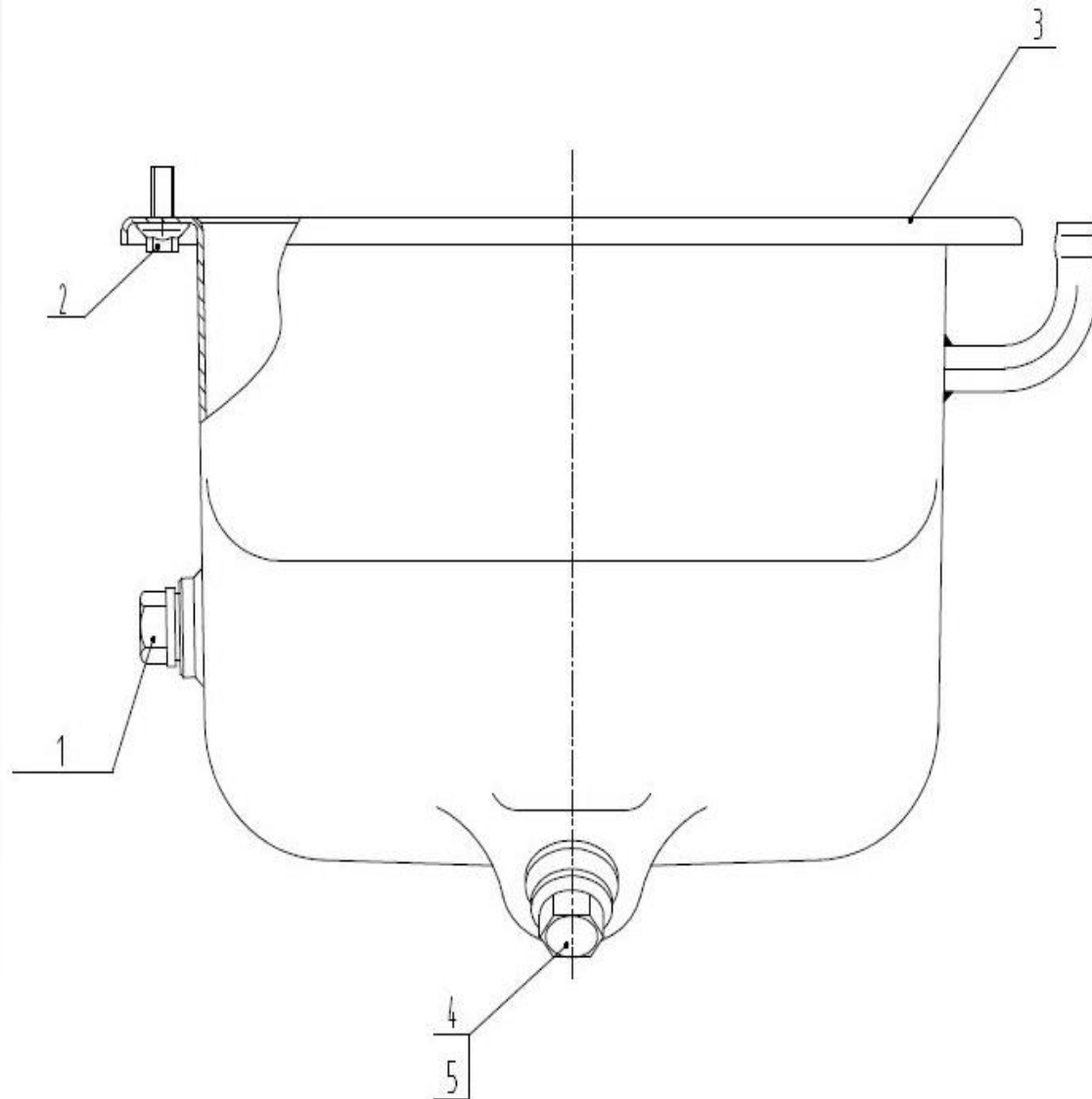
Flywheel Housing Group



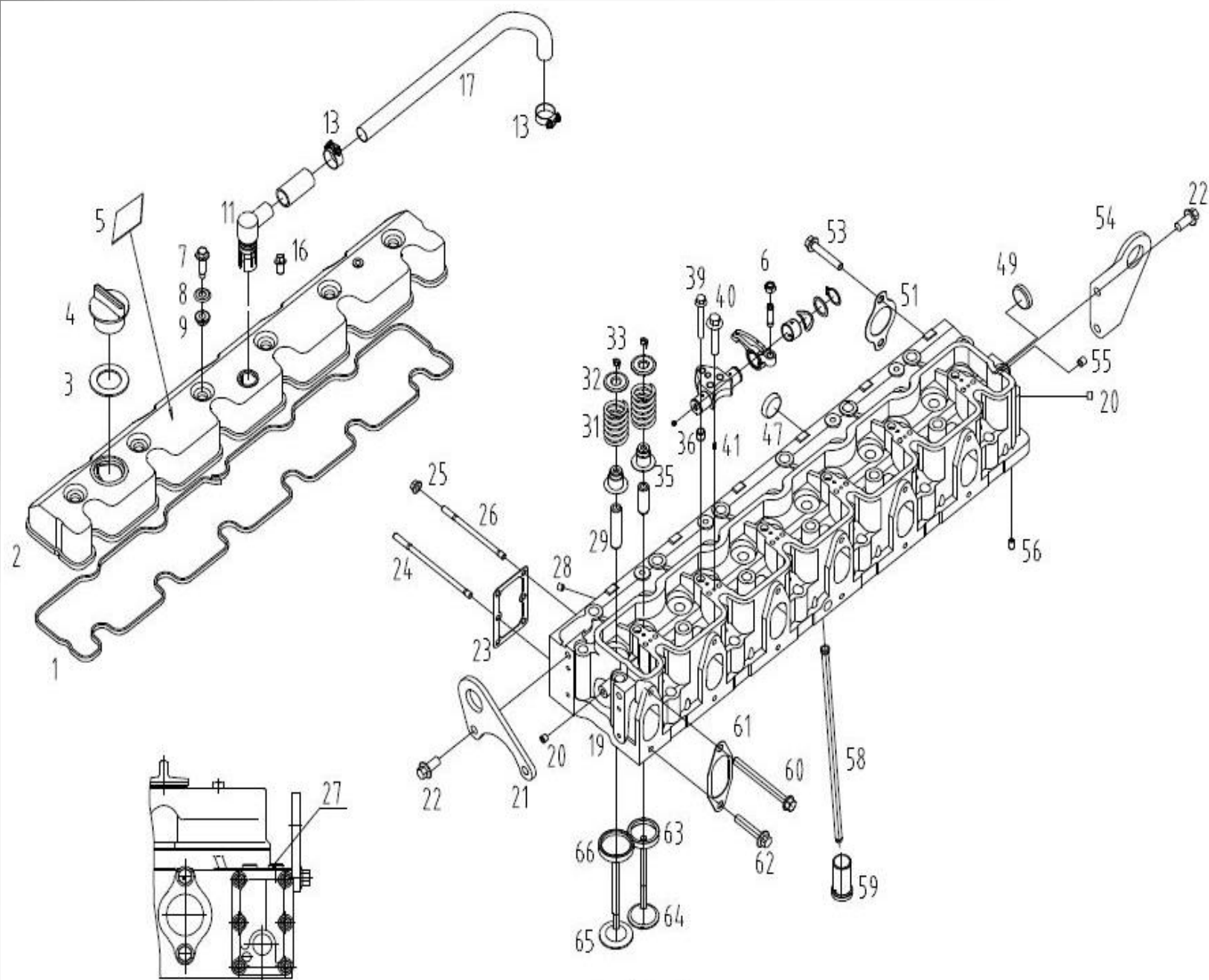
Item No	Part Number	Description	Qty
1	B00002111	HEX HEAD BOLT	2
2	D02C-104-05	COVER	1
3	B00002130	HEX HEAD BOLT	4
4	D02C-149-02	PLATE WITH OPENING, FLYWHEEL HOUSING	1
5	D02C-151-02	FLYWHEEL HOUSING OPENING COVER GASKET	1
6	D02C-105-03	GASKET, COVER	1
7	D02C-104-31	COVER	1
8	B00002132	HEX HEAD BOLT	3
9	D02C-109-02	GASKET	1
10	D02C-102-07	FLANGE	1
11	D02C-106-01	PLUG, O RING	1
12	202788	SEAL, O RING	1
13	B00001284	WASHER, PLAIN	3
14	D02C-110-01	BOLT, TWELVE POINT HEAD	3
15	D02C-108-02	STARTING MOTOR GASKET	1
16	S00010724+02	FLYWHEEL HOUSING	1
17	B00002113	HEX HEAD BOLT	1
18	B00001728	PLUG, THREADED	2
19	B00002147	HEX HEAD BOLT	1
20	B00000846	NUT, HEX FLANGE HEAD CAP	1
21	D02C-103-01	INDICATOR	1

Oil Pan Group

Item No	Part Number	Description	Qty
1	D02A-164-01	PLUG, THREADED	1
2	B00002132	BOLT, HEX FLANGE HEAD CAP	32
3	D03-001-11	OIL PAN WELDING	1
4	D03-110-02	RUBBER COATED HARD WASHER	1
5	B00001728	PLUG, THREADED	1



Cylinder Head Group



Cylinder Head Group



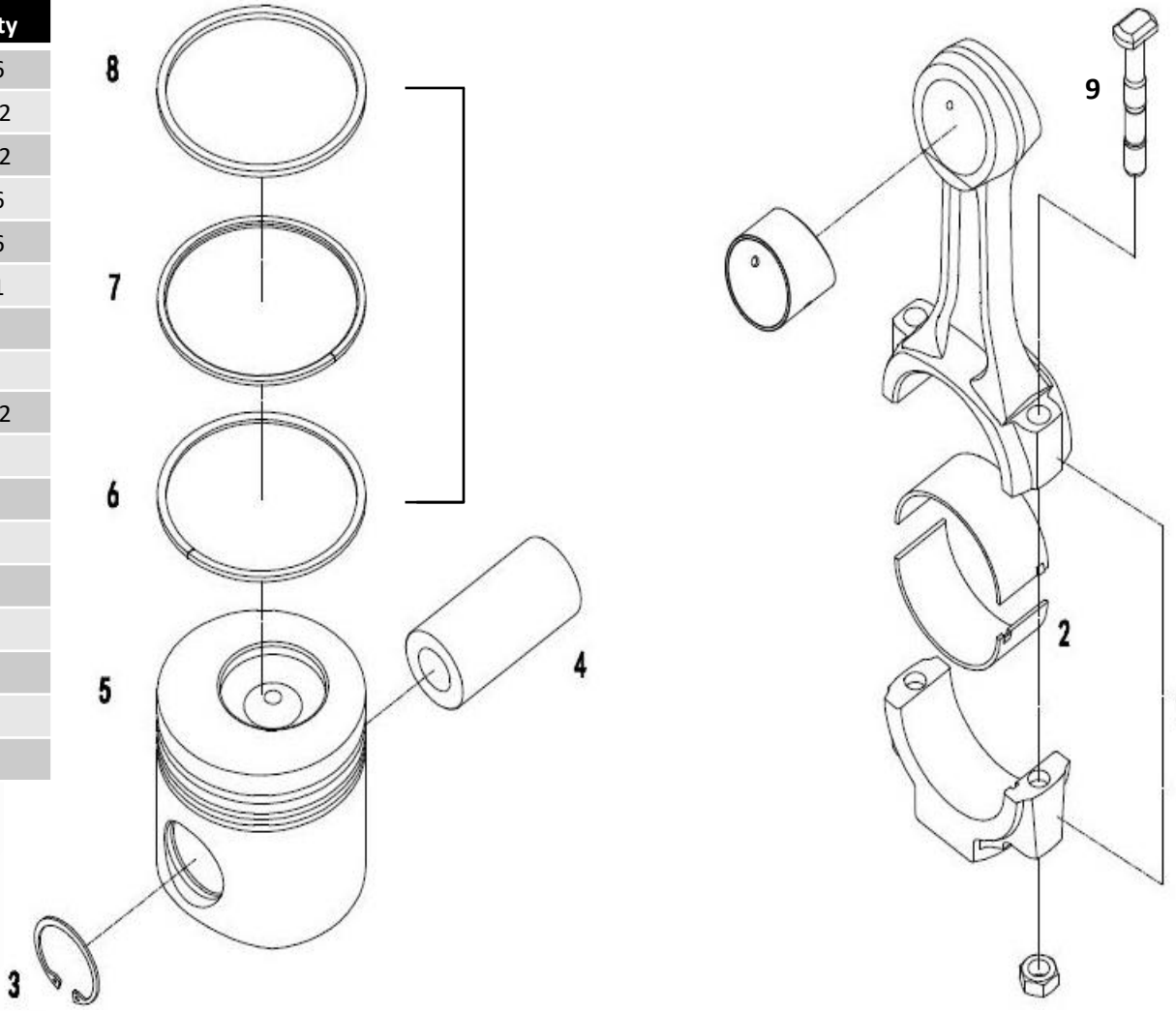
Item No	Part Number	Description	Qty
1	203380	VALVE COVER GASKET	1
2	D04-134-32	VALVE COVER	1
3	204284	OIL CAP SEAL	1
4	204283	COVER, OIL FILLER	1
5	D04-164-01	TRADEMARK PLATE	1
6	200551	ROCKER LEVER ASSY.	6
7	204240	BOLT, CYLINDER HEAD	6
8	204155	WASHER, VALVE TRAIN COVER BOLT	6
9	204156	SEAL, VALVE TRAIN COVER BOLT	6
11	204282	VENT TUBE ELBOW	1
13	B00001565	CLAMP	2
16	B00002111	BOLT, HEX FLANGE HEAD CAP	2
17	204285	VENT TUBE	1
19	203648	CYLINDER HEAD	1
20	D04-132-01	PLUG, PIPE	2
21	D04-142-30C	LIFTING PLATE, FRONT	1
22	B00002047	BOLT, HEX FLANGE HEAD CAP	4
23	200561	GASKET, THERMOSTAT	1
24	204286	STUD, THERMOSTAT	4
25	B00000846	NUT, HEX FLANGE	6
26	204287	STUD, THERMOSTAT	2
27	D04-151-30	JOINT, VENT	1
28	204324	PLUG	6
29	202492	GUIDE, INTAKE	6
31	200555	SPRING, VALVE	12
32	200556	RETAINER, VALVE SPRING	12

Item No	Part Number	Description	Qty
33	200557	COLLATE, VALVE	24
35	200552	SEAL, EXHAUST VALVE STEM	12
36	204288	PIN, DOWEL	6
39	D04-120-30	BOLT, HEX FLANGE HEAD CAP	6
40	B00002148	BOLT, HEX FLANGE HEAD CAP	12
41	203066	PIN, DOWEL	6
49	202685	PLUG	7
51	202443	GASKET, EXHAUST MANIFOLD	6
53	D04-145-31	BOLT, EXHAUST MANIFOLD	12
54	D04-172-07	LIFTING PLATE, REAR	1
55	204325	PLUG	1
56	D04-161-01	PIN, THROTTLING	1
57	D04-309-01	BOLT, PIPE	1
58	200559	PUSH ROD	12
59	200558	TAPPET	12
60	D04-307-01A	BOLT, INTAKE MANIFOLD	6
61	200560	GASKET, INTAKE MANIFOLD	6
62	B00002016	BOLT, HEX FLANGE HEAD CAP	6
63	203660	INSERT, EXHAUST VALVE	6
64	200554	EXHAUST VALVE	6
65	200553	INTAKE VALVE	6
66	203659	INSERT, INTAKE VALVE	6
67	202686	PLUG	5
68	D02A-169-01	PLUG, THREADED	1
69	204327	O RING	1

Piston / Connecting Rod Group

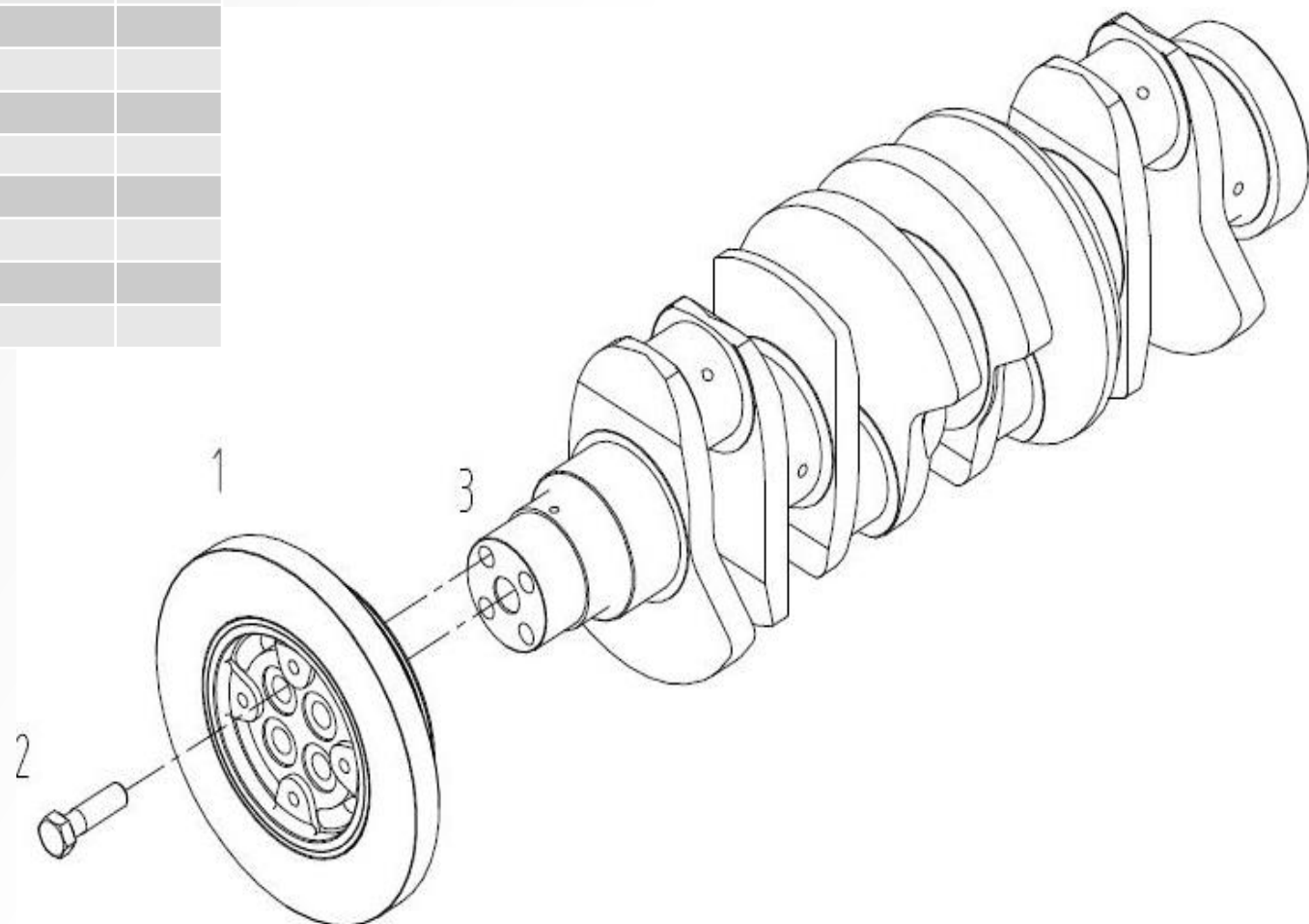


Item No	Part Number	Description	Qty
1	200617	CONNECTING ROD	6
2	200567	BEARING: CONNECTING ROD	12
3	204067	RETAINER CLIP	12
4	200566	PISTON PIN	6
5	200627	PISTON	6
6	200562	PISTON RING SET	1
7		INCLUDES ALL 3 RINGS	
8		ONE SET PER ENGINE	
9	204215	CONNECTING ROD BOLT	12



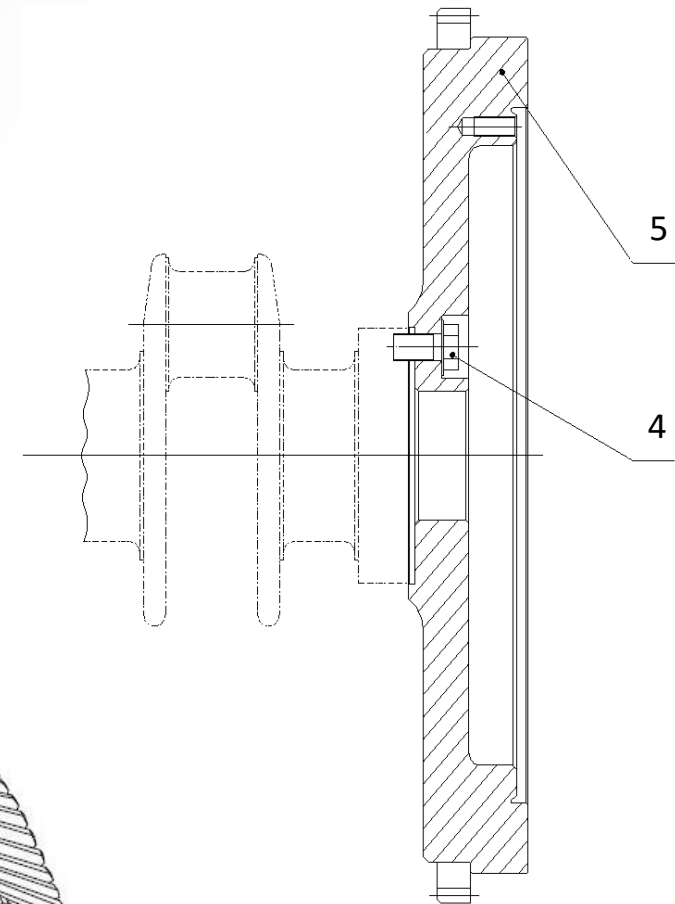
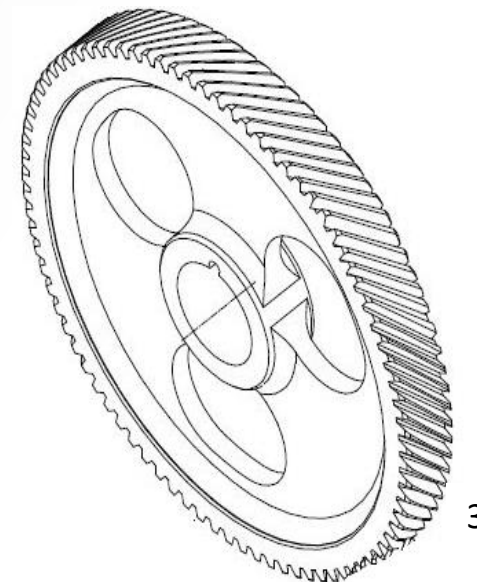
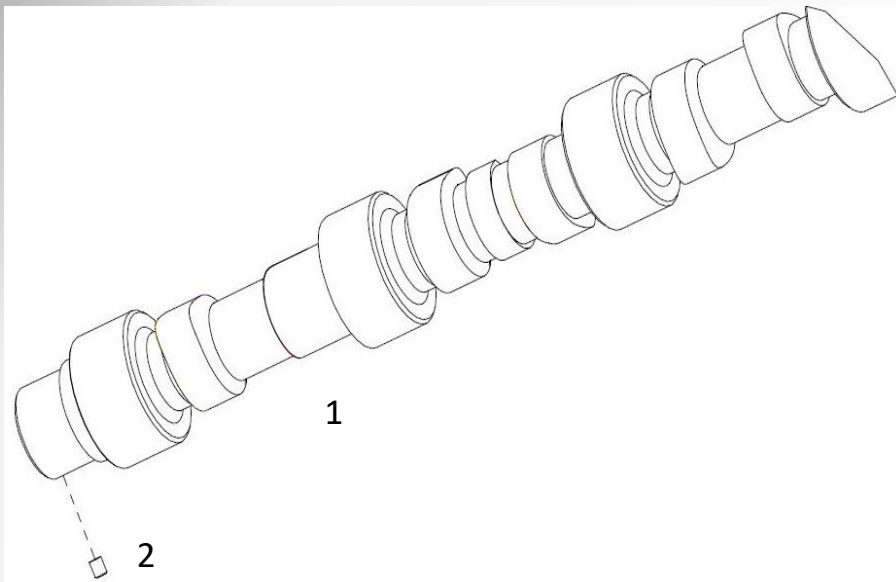
Crankshaft Group

Item No	Part Number	Description	Qty
1	200568	VIBRATION DAMPER	1
2	D06A-109-30	BOLT, DAMPER	4
3	203690	CRANKSHAFT	1



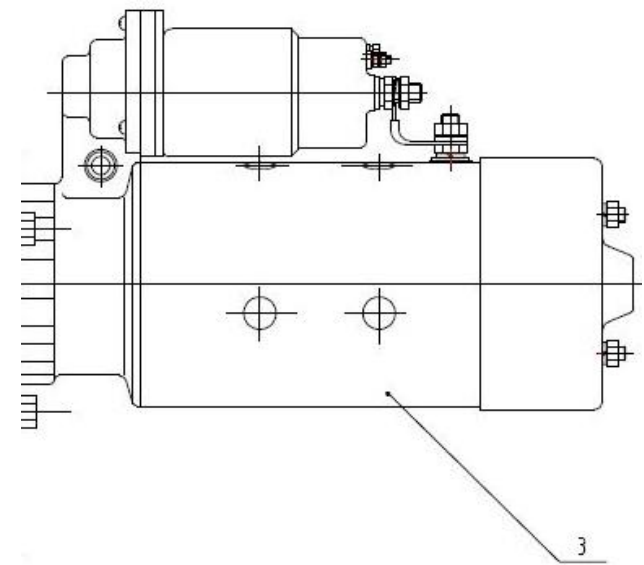
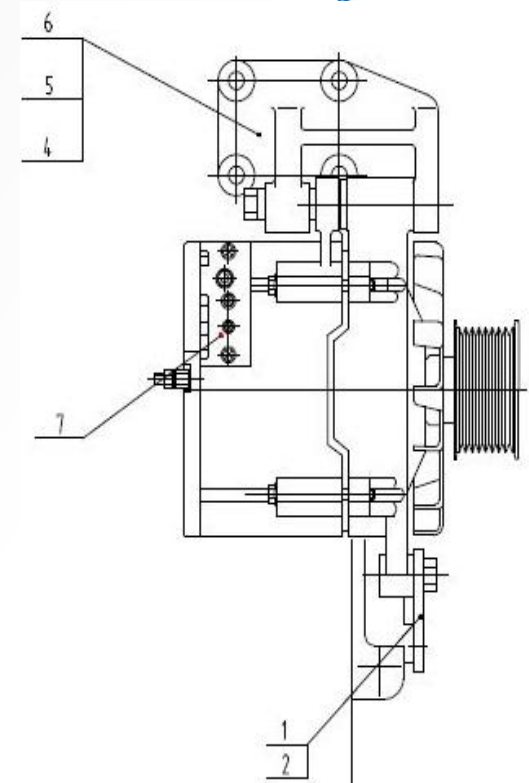
Flywheel Group

Item No	Part Number	Description	Qty
1	204065	CAMSHAFT	1
2	204372	PARALLEL PIN	1
3	T07-102-02	CAMSHAFT GEAR	1
4	203789	FLYWHEEL AND RING GEAR	1
5	204170	FLYWHEEL BOLT	8
	200569	RING GEAR	1

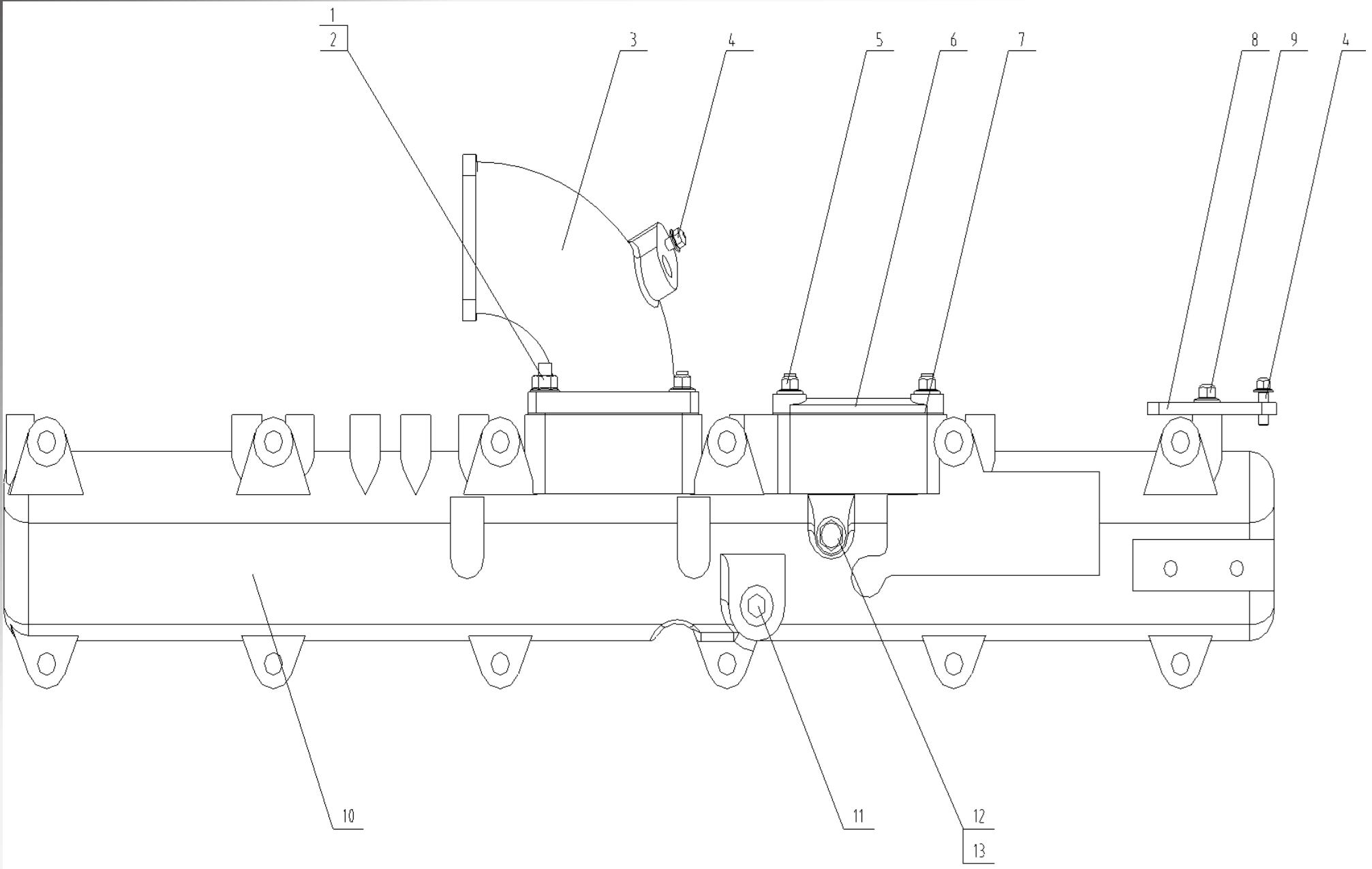


Starting System Group

Item No	Part Number	Description	Qty
1	B00002001	BOLT, HEX FLANGE HEAD CAP	1
2	D11-105-30A	BRACKET	1
3	200570	STARTING MOTOR	1
4	D11-103-30C	ALTERNATOR BRACKET	1
5	B00001990	BOLT, HEX FLANGE HEAD CAP	1
6	D11-104-01	SPACE SLEEVE	2
7	200571	ALTERNATOR	2



Air Intake Group

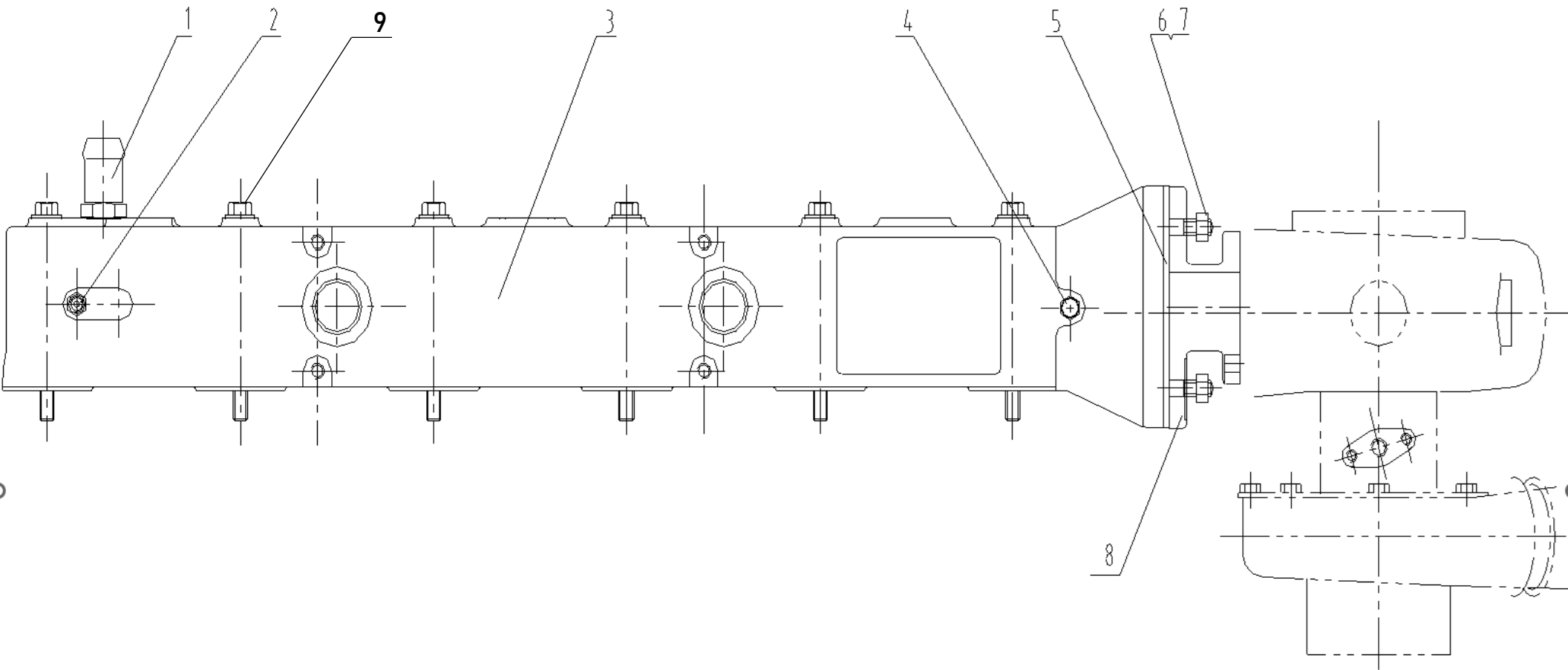


Air Intake Group



Item No	Part Number	Description	Qty
1	B00001137	STUD	1
2	B00000846	FLANGE NUTS - FINE THREAD	1
3	204309	AIR INLET PIPE ELBOW	1
4	B00002114	HEX HEAD BOLT	3
5	B00002137	HEX HEAD BOLT	7
6	D12-305-01	COVER	1
7	200572	GASKET, AIR INTAKE PIPE	2
8	D12-306-01	BRACKET, CRANKCASE VENT FILTER	1
9	B00002134	HEX HEAD BOLT	2
10	204365	AIR INLET PIPE ASSY	1
11	D02A-164-01	HEX SOCKET PIPE PLUG	1
12	B00001545	RUBBER COATED HARD WASHER	1
13	B00001724	HEXAGON PIPE PLUG	1

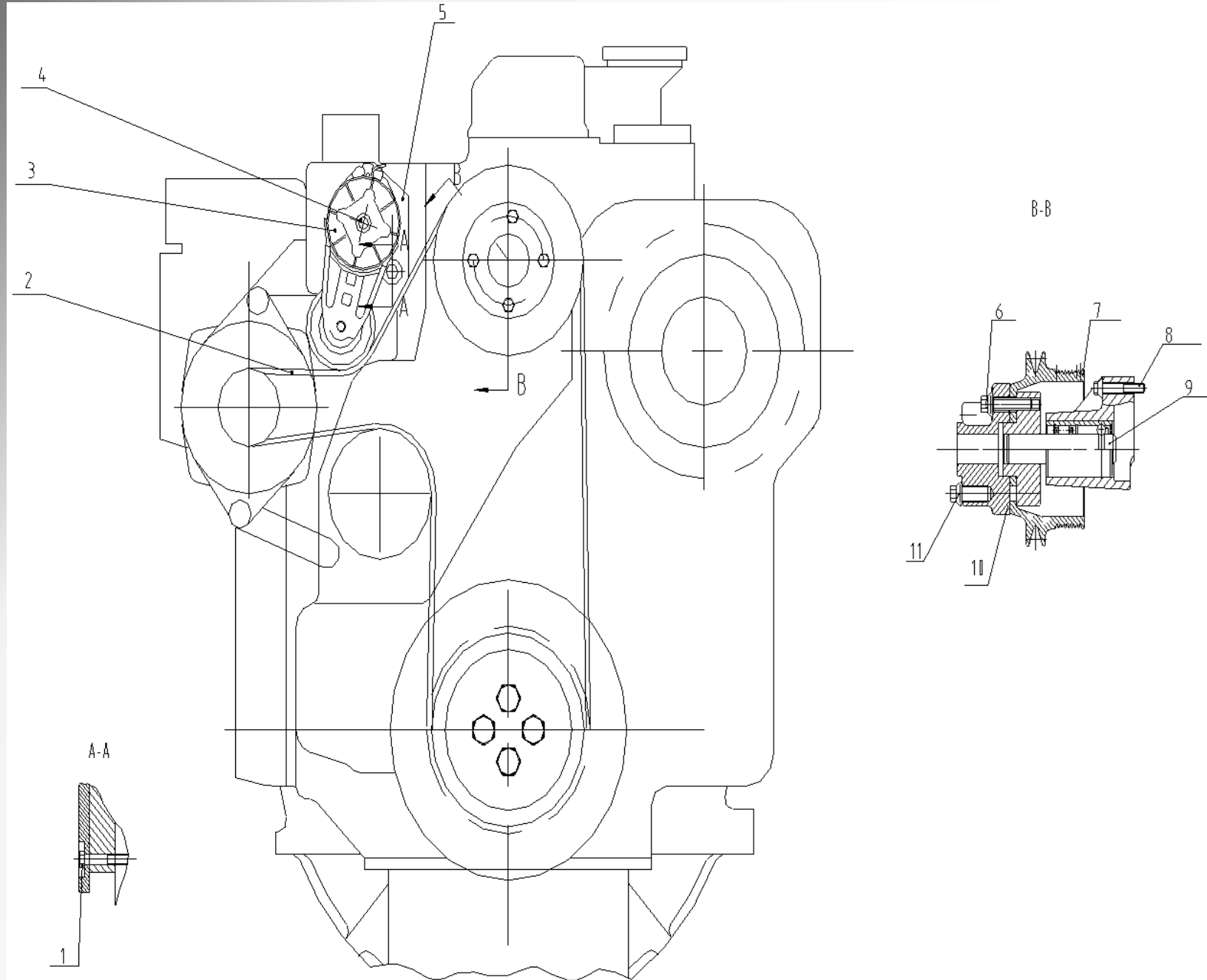
Exhaust Group – TA690



Exhaust Group – TA690

Item No	Part Number	Description	Qty
1	D13-311-01	WATER OUTLET CONNECTOR	2
2	D13-314-01	WATER OUTLET JOINT	1
3	202166	WATER COOLED EXHAUST MANIFOLD	1
4	D02A-166-01	PLUG	1
5	200573	OUTLET GASKET	1
6	201965	STUD	4
7	204418	NUT, FLANGE – TURBOCHARGER	4
8	203354	TURBO ADAPTOR – 45 DEG	1
9	204262	BOLT – EXHAUST MANIFOLD	12

Front Gear System Group

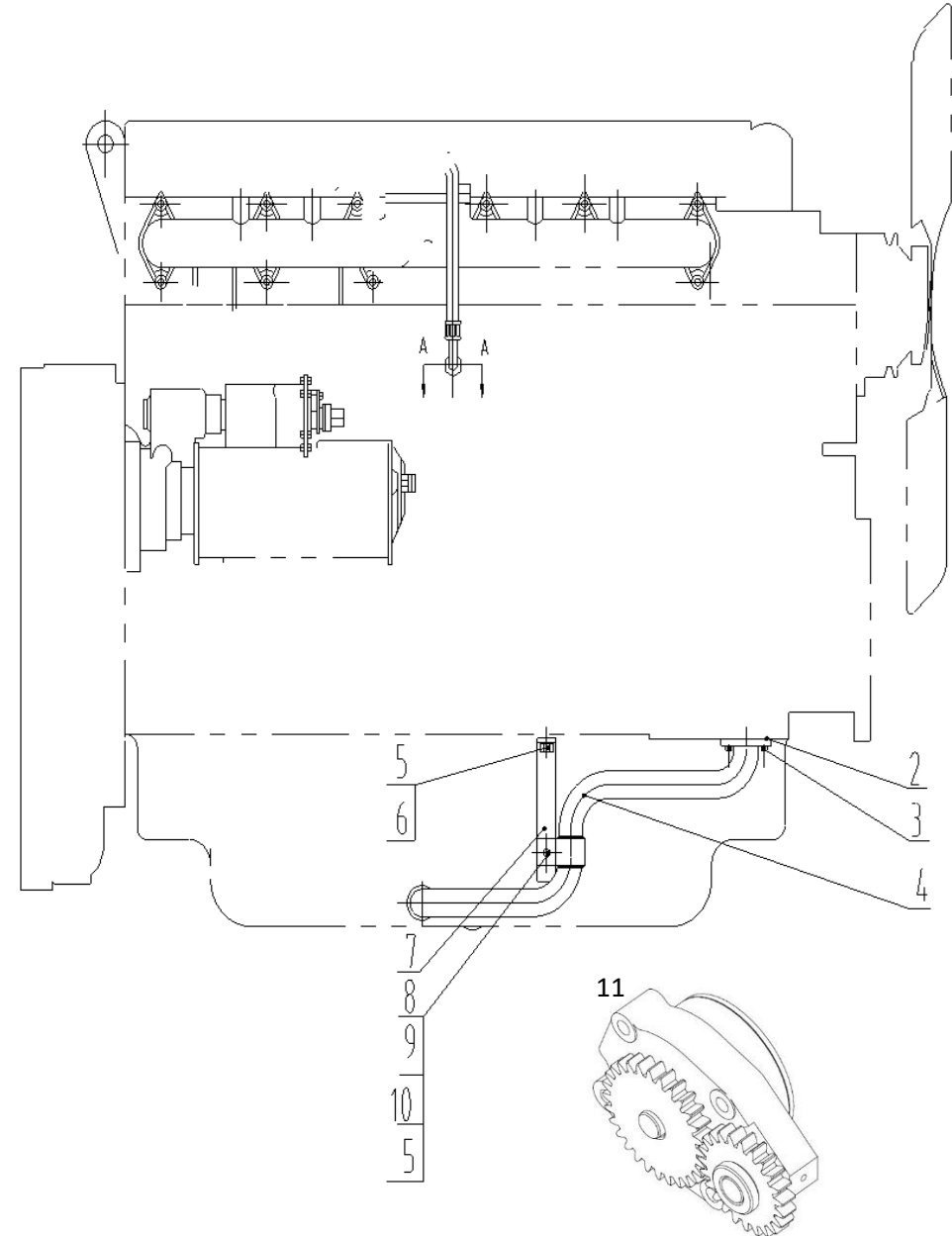
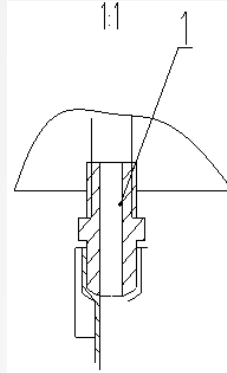


Front Gear System Group



Item No	Part Number	Description	Qty
1	B00000631	HEXAGON HEAD BOLT	2
2	200577	FAN BELT	1
3	202439	TENSIONER ASSY	1
4	B00002031	HEXAGON BOLTS	1
5	S00011271	FIXING BRACKET, TENSIONER	1
6	B00002050	HEXAGON BOLTS	4
7	204329	PULLEY, FAN	1
8	B00002149	HEXAGON BOLTS	4
9	202445	FAN HUB ASSEMBLY	1
10	204330	FAN COUPLING PLATE	1
11	B00002059	HEXAGON BOLTS	4

Oil Lines Group

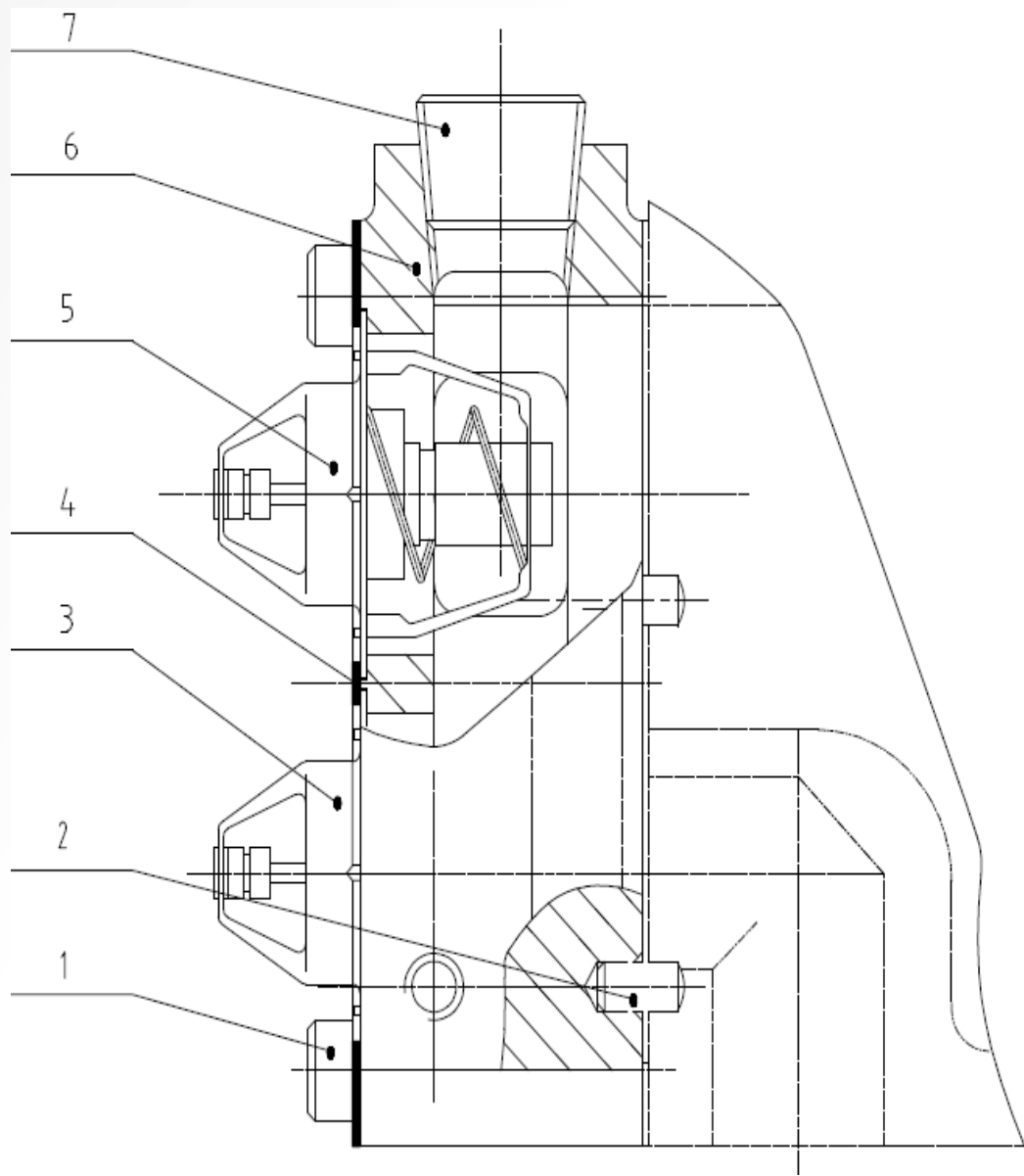


Item No	Part Number	Description	Qty
1	D19-118-01	JOINT	1
2	D19-114-01A	GASKET	1
3	B00003351	HEXAGON SOCKET HEAD CAP SCREWS	2
4	D19-001-41	OIL SUCTION PIPE ASSY	1
5	B00001297	PLAIN WASHER	4
6	B00000603	HEXAGON HEAD BOLT	2
7	D19-105-01	BRACE, OIL SUCTION PIPE	1
8	B00000609	HEXAGON HEAD BOLT	1
9	B00000790	HEXAGON NUT (TYPE 1)	1
10	B00001252	SPRING WASHER	1
11	200574	OIL PUMP	1

Thermostat Group

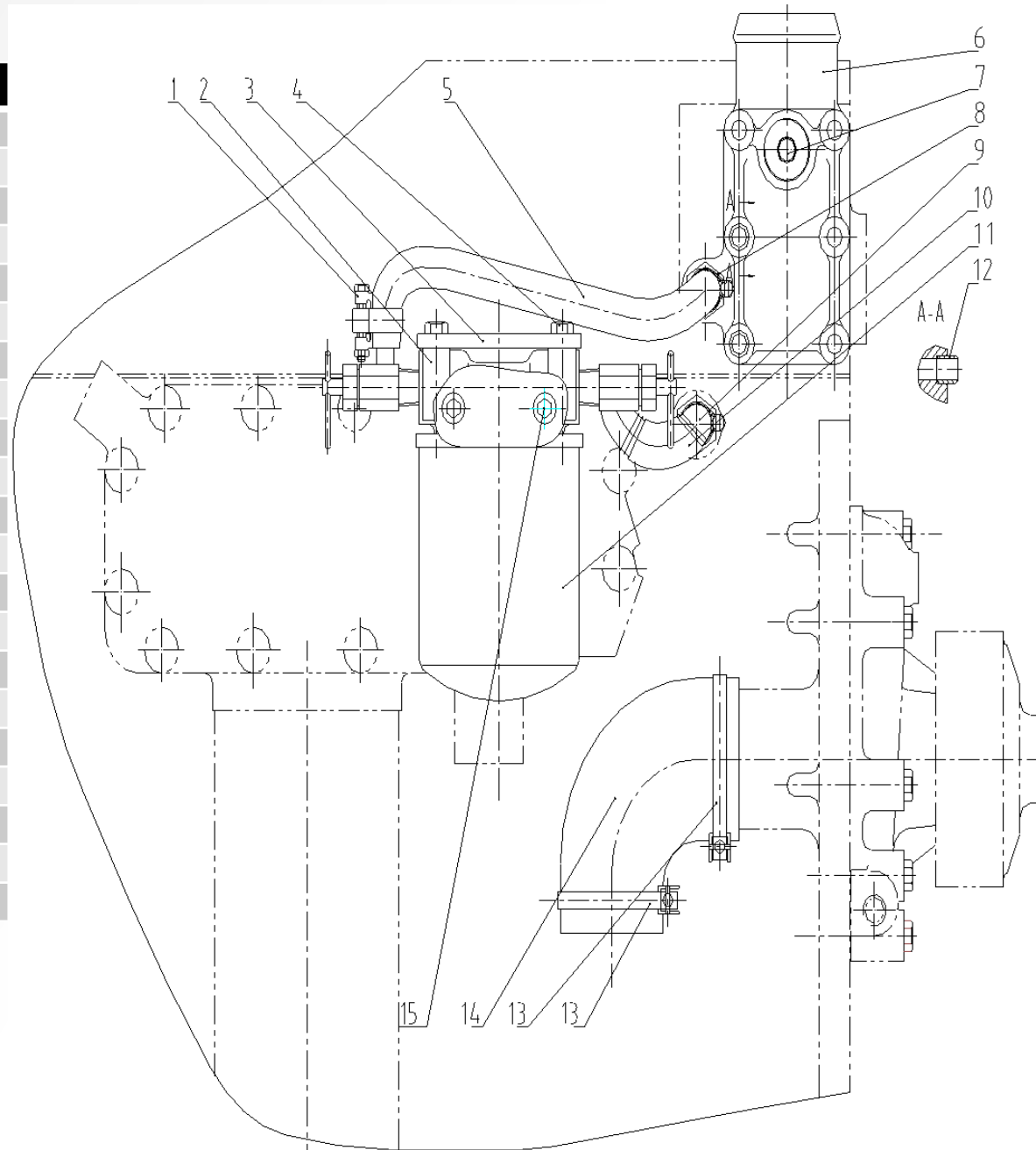


Item No	Part Number	Description	Qty
1	D22-105-01	DOWEL, SLEEVE	2
2	202675	DOWEL, PIN	2
3	200580	THERMOSTAT	1
4	200581	GASKET	1
5	200580	THERMOSTAT	1
6	200579	HOUSING, THERMOSTAT	1
7	D02A-164-01	HEX SOCKET PIPE PLUG	1



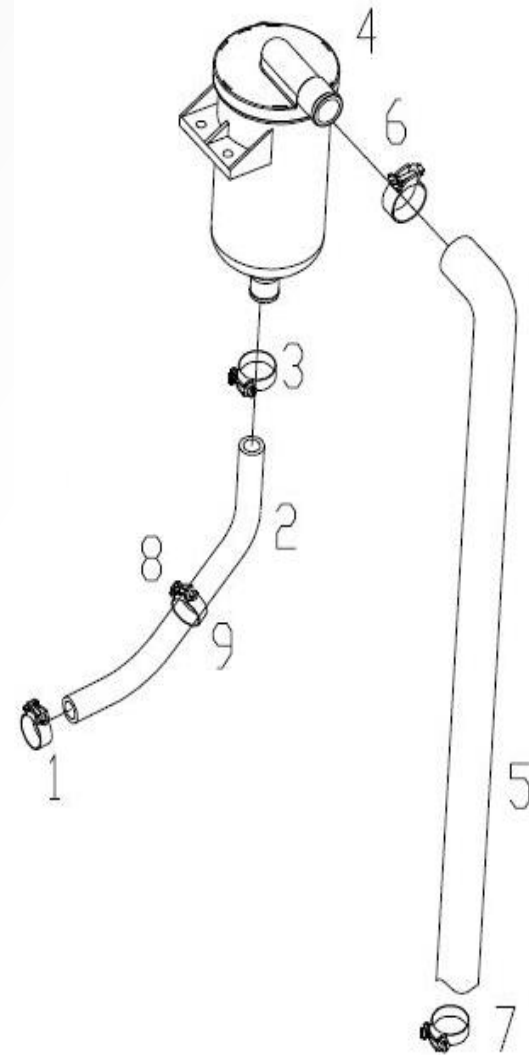
Coolant Lines Group

Item No	Part Number	Description	Qty
1	B00001558	CLAMP	4
2	D24A-006-01	BASE ASSY, WATER FILTER	1
3	D24A-112-30A	MOUNTING PLATE, WATER FILTER	1
4	B00002139	HEXAGON BOLTS	4
5	D24A-116-37	WATER FILTER INLET HOSE	1
6	D24A-110-30A	WATER OULET PIPE	1
7	D02A-164-01	HEXAGON COUNTERSUNK PIPE PLUG	1
8	D24A-115-02	FLARED TYPE JOINT	2
9	D24A-116-32	HOSE, WATER FILTER	1
10	D24A-135-02	SPRING	1
11	200582	DCA4 WATER FILTER ASSY	1
12	D22-105-01	SLEEVE PIN	2
13	B00001575	CLAMP	2
14	200583	WATER INLET ELBOW	1
15	B00002167	HEXAGON BOLTS	2



Crankcase Vent Group

Item No	Part Number	Description	Qty
1	B00001563	CLAMP	1
2	S00002731	OIL RETURN TUBE, OIL MIST PRECIPITATOR	1
3	B00001567	CLAMP	1
4	200584	OIL MIST PRECIPITATOR ASSEMBLY	1
5	203975	OUTLET PIPE, OIL MIST PRECIPITATOR	1
6	B00001567	CLAMP	1
7	D42-107-31	CLIP	1
8	B00002113	BOLT, HEX FLANGE HEAD CAP	1
9	D04-313-01	CLIP	1

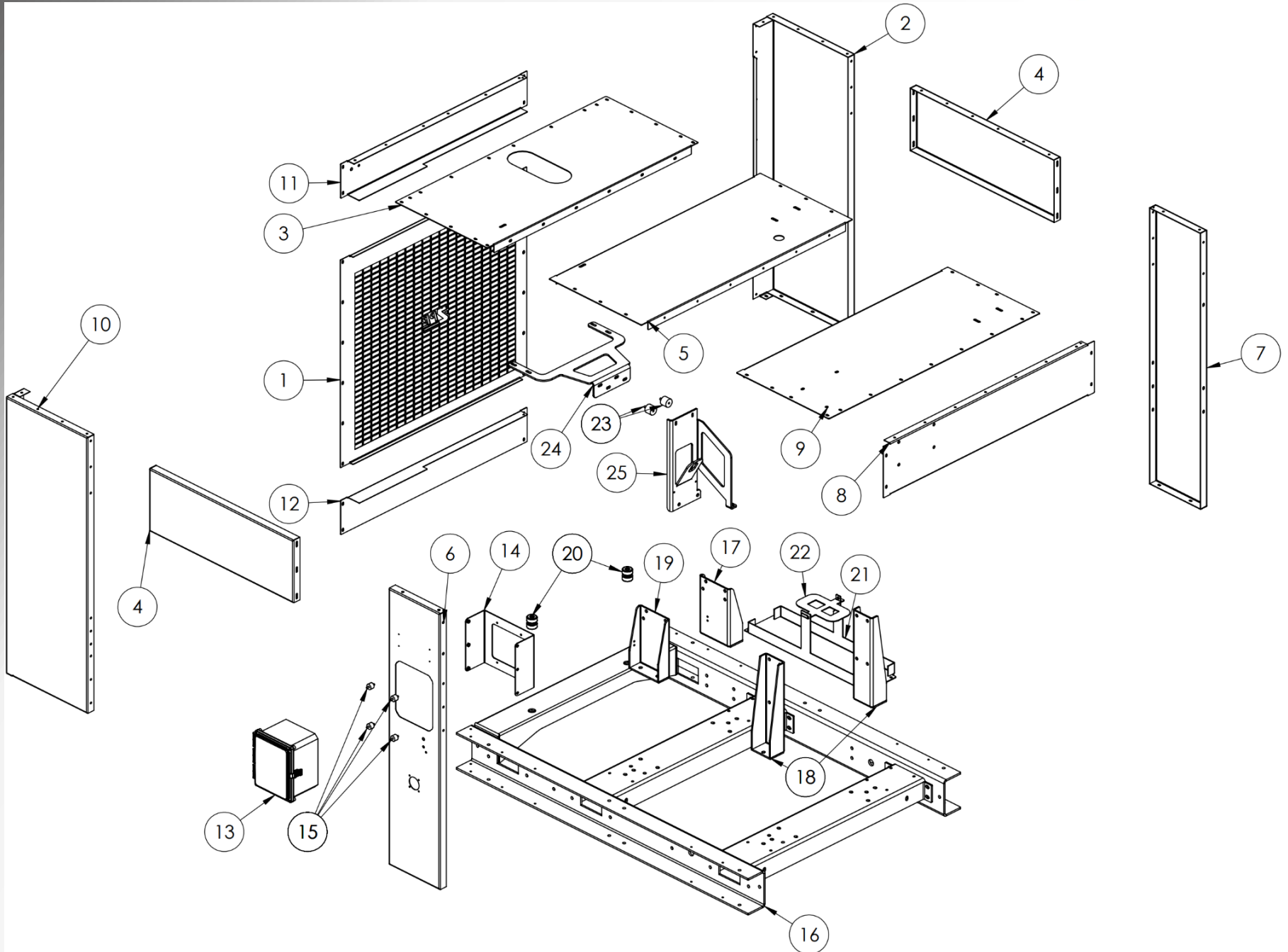


Miscellaneous



Item No	Part Number	Description	Qty
	201372	OIL FILTER	1
	201004	SPARK PLUG	6
	200630	MAP SENSOR	1
	202286	HE CAM SENSOR	1
	202287	VR SPEED SENSOR	1
	201071	IGNITION WIRE SET	1
	202165	WIRING HARNESS	1
	204168	DIPSTICK AND TUBE ASSEMBLY	1

Enclosure Panels / Skid Group

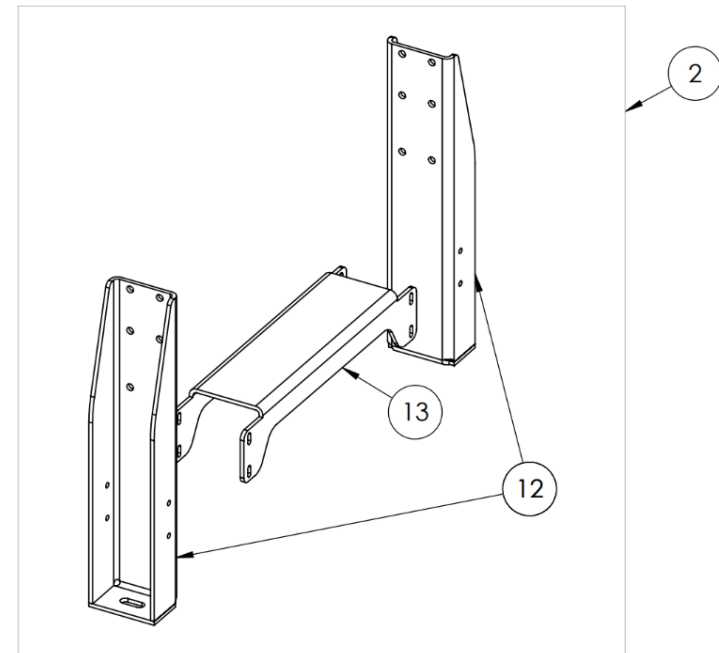
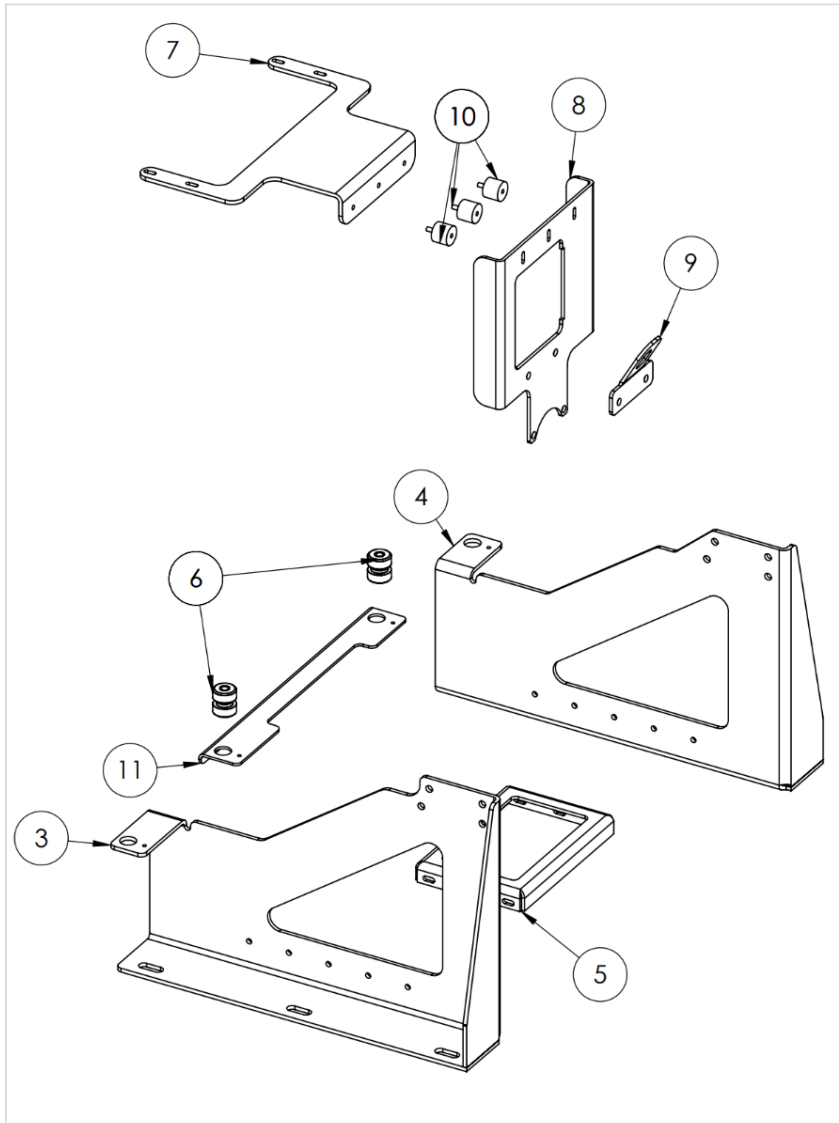


Enclosure Panels / Skid Group

Item No	Part Number	Description	Qty
1	200096	Stone Guard: 690 - Red	1
2	200091	Pass Front Panel: 690 - Red	1
3	200094	Front Roof Panel: 690 - Red	1
4	200090	Side Panel: 690 - Red	2
5	202096	Top Mid Roof Panel: 690 - Red	1
6	200088	Driver Rear Panel: 690 - Red	1
7	200099	Passenger Rear Panel: 690 - Red	1
8	200087	Rear Top Panel: 690 - Red	1
9	200093	Back Roof Panel: 690 - Red	1
10*	202097	Front Driver Panel: 690 - Red (TA Only)	1
11*	202098	Top Front Panel: 690 - Red (TA Only)	1
12*	200092	Front Bottom Panel: 690 - Red (TA Only)	1
Enclosure Panels for 690NA Enclosure			
10*	200089	Front Driver Panel: 690 - Red (NA Only)	1
11*	202183	Top Front Panel: 690 - Red (NA Only)	1
12*	201976	Bottom Front Panel: 690 Red (NA Only)	1
NP	200095	Stone Guard Adaptor: 690 (NA Only)	1

Item No	Part Number	Description	Qty
13	204257	NEMA PANEL - TE410 24V	1
14	204366	NEMA SADDLE BRACKET	1
15	202272	ISOLATOR	4
16	200064	SKID ASSEMBLY	1
17	202074	FRONT RIGHT LEG	1
18	202073	REAR LEG	2
19	202072	FRONT LEFT LEG	1
20	202995	RADIATOR ISOLATOR - LOWER	2
21	202082	BATTERY TRAY	1
22	200230	LOCK BAR	1
23	201488	RADIATOR ISOLATOR - UPPER	2
24	200219	UPPER RADIATOR BRACKET - RADIATOR	1
25	200218	UPPER RADIATOR BRACKET - ENGINE	1

Support Group NA/TA690 Prime

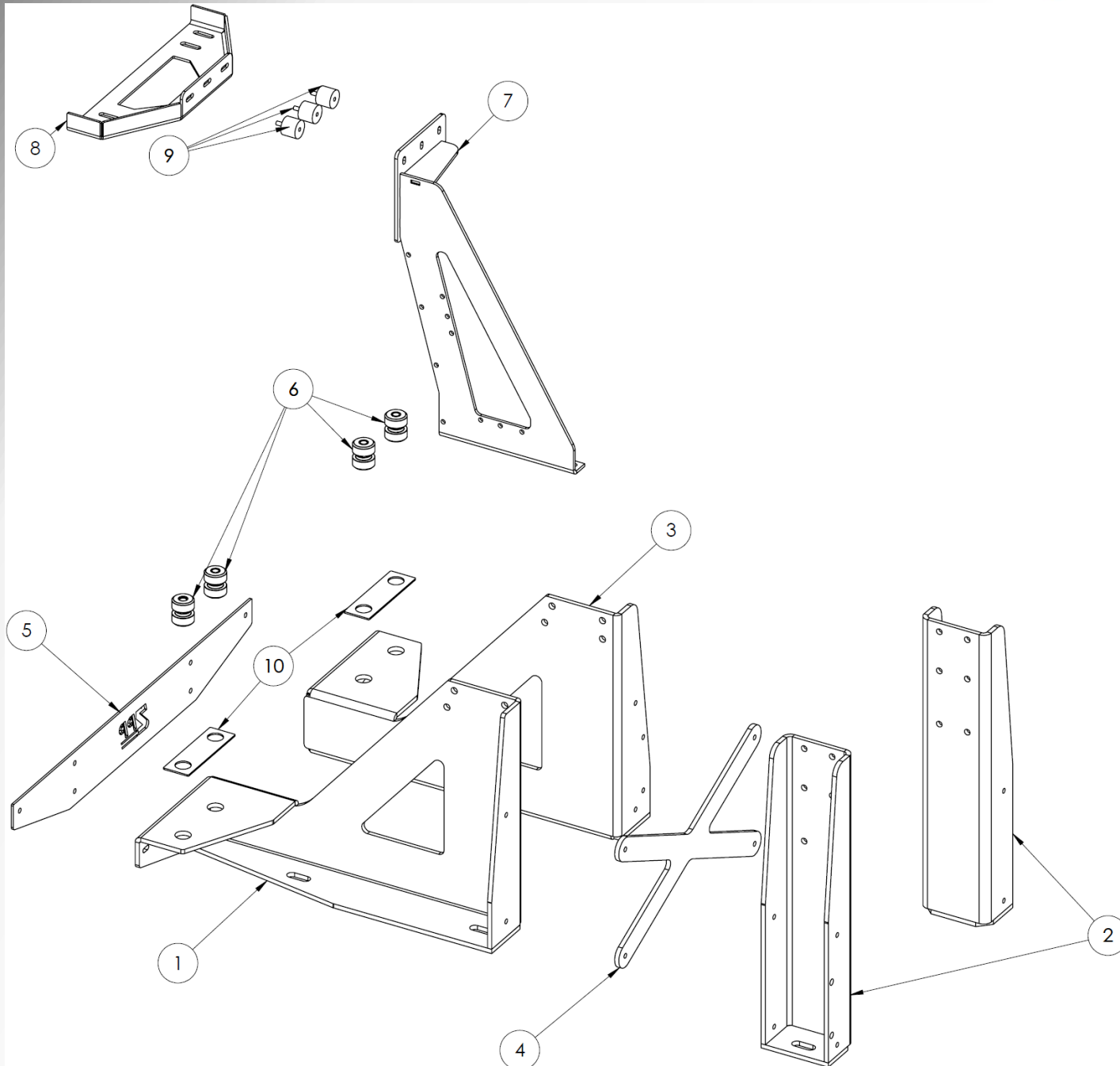


Support Group NA/TA690 Prime



Item No	Part Number	Description	Qty
1	201235	Mounting Kit – NA690 / TA690 Prime	1
2	201236	Rear Leg Kit	1
3		Not Available separately	N/A
4		Not Available separately	N/A
5		Not Available separately	N/A
6	202995	Isolator: Radiator Lower Mount – White Dot	2
7		Not Available separately	N/A
8		Not Available separately	N/A
9		Not Available separately	N/A
10	201488	Isolator: M8-1.25	3
11		Not Available separately	N/A
12		Not Available separately	N/A
13		Not Available separately	N/A

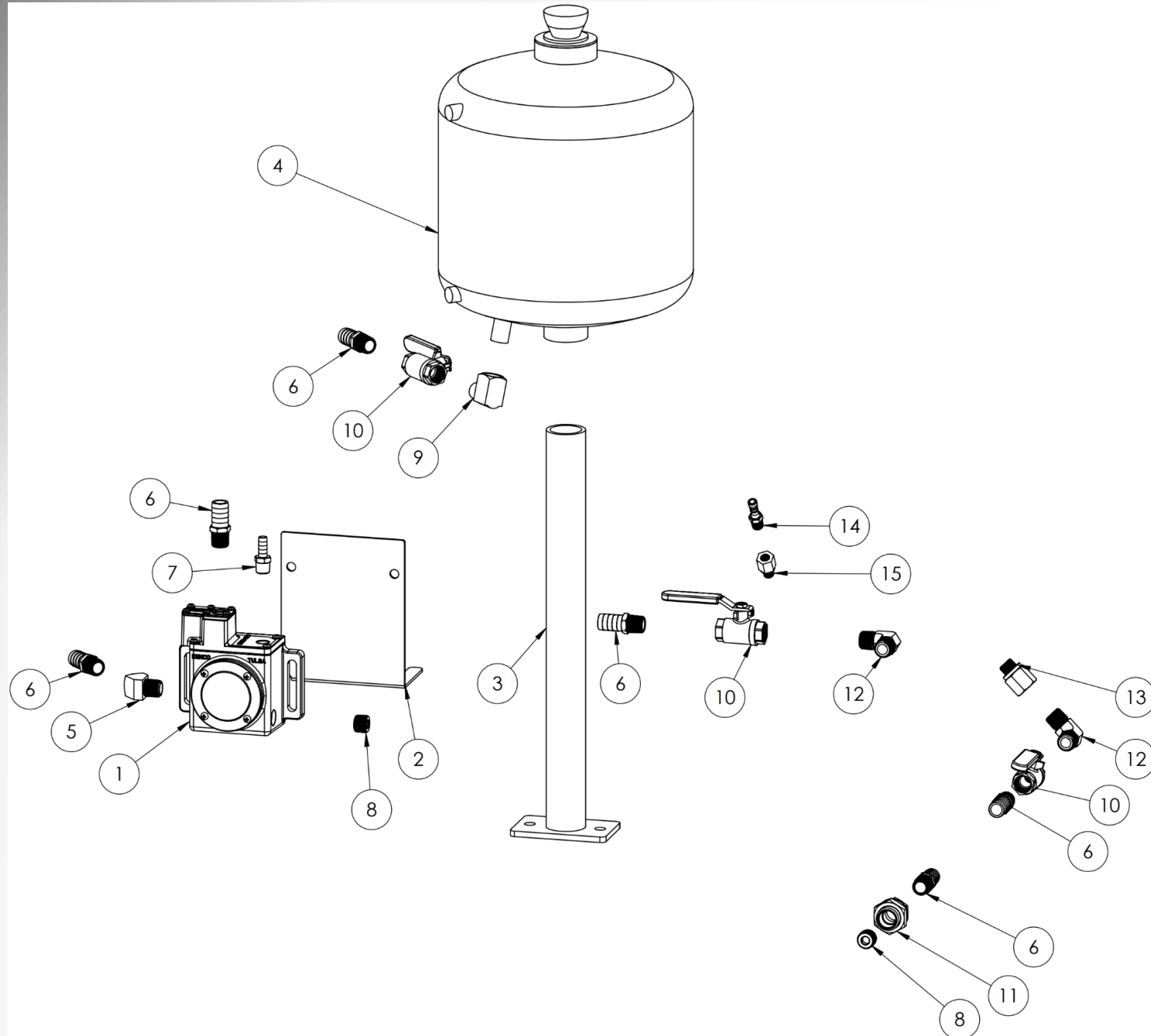
Support Group TA690M Standby



Support Group TA690M Standby

Item No	Part Number	Description	Qty
1	203491	Bracket: Left Front Leg	1
2	203132	Bracket: Rear Leg	2
3	203124	Bracket: Right Front Leg	1
4	203127	Bracket: X-Brace	1
5	203126	Bracket: Front Plate	1
6	202995	Isolator: Radiator Lower Mount – White Dot	4
7	203839	Bracket: Rad Support – Vertical	1
8	203838	Bracket: Rad Top Support	1
9	201488	Isolator: M8-1.25	3
10	203142	Isolator Spacer Plate	2

Oil Leveler Group

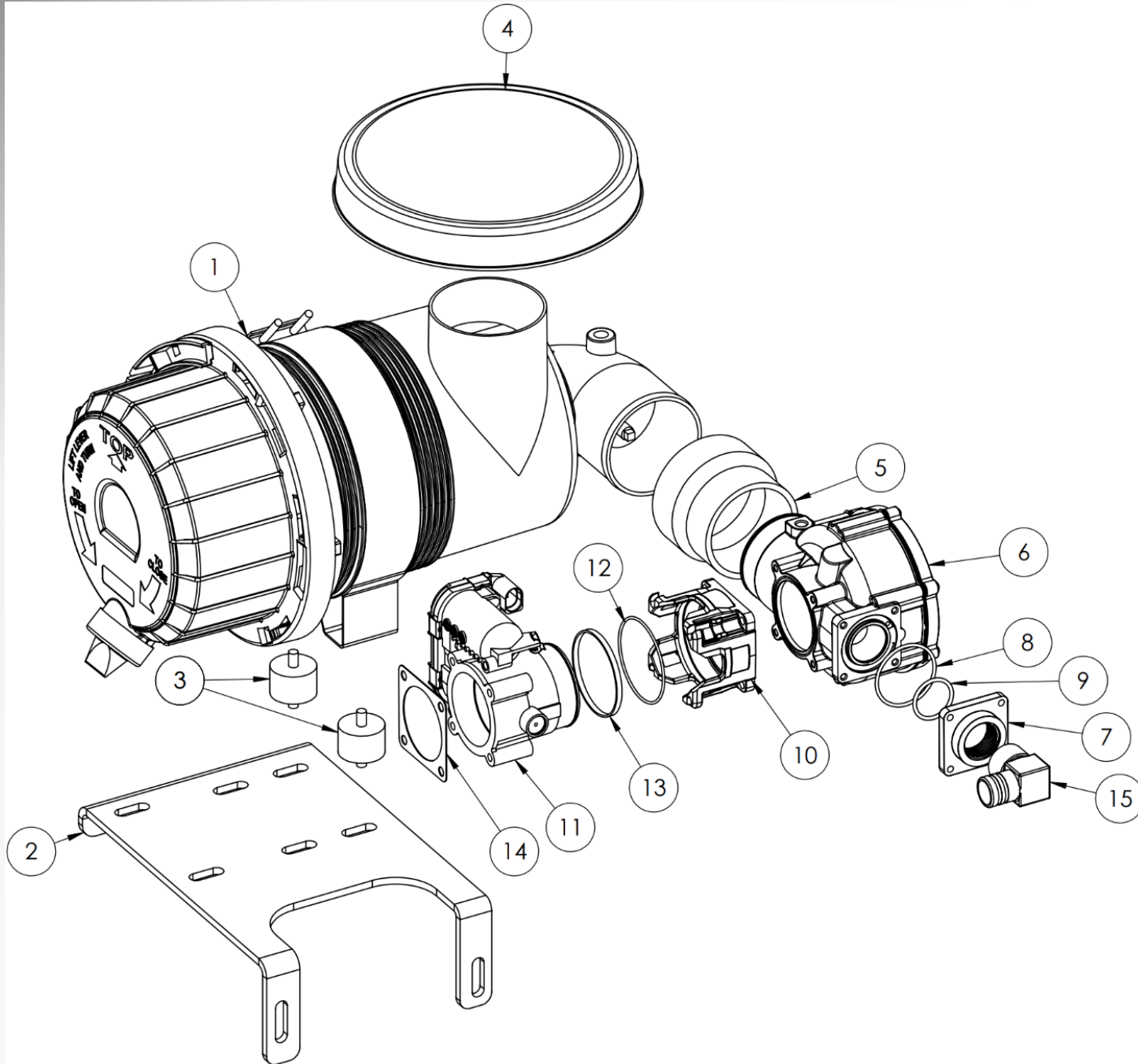


Oil Leveler Group



Item No	Part Number	Description	Qty
1	200022	OIL CONTROL LEVELER	1
2	200081	OIL LEVELER BRACKET	1
3	200021	OIL TANK STAND	1
4	200020	OIL SUPPLY TANK	1
5	200162	1/2" 45 DEG STREET ELL	1
6	200161	1/2" NPT X 3/4" HOSE FITTING	6
7	200728	3/8" NPT X 3/8" HOSE FITTING	1
8	201960	1/2" NPT PIPE PLUG	2
9	200191	1/2" NPT STREET ELL	1
10	200163	1/2" NPT BALL VALVE	3
11	200165	1/2" BULKHEAD FITTING	1
12	200164	1/2" NPT ELBOW	2
13	200075	M18-1.5 X 1/2" NPT ADAPTOR	1
14	200995	1/4" NPT X 3/8" HOSE FITTING	1
15	202250	M12-1.25 X 1/4" NPT ADAPTOR	1
	202119	3/4" ID OIL RATED HOSE	1

Intake Group – NA690 OPU

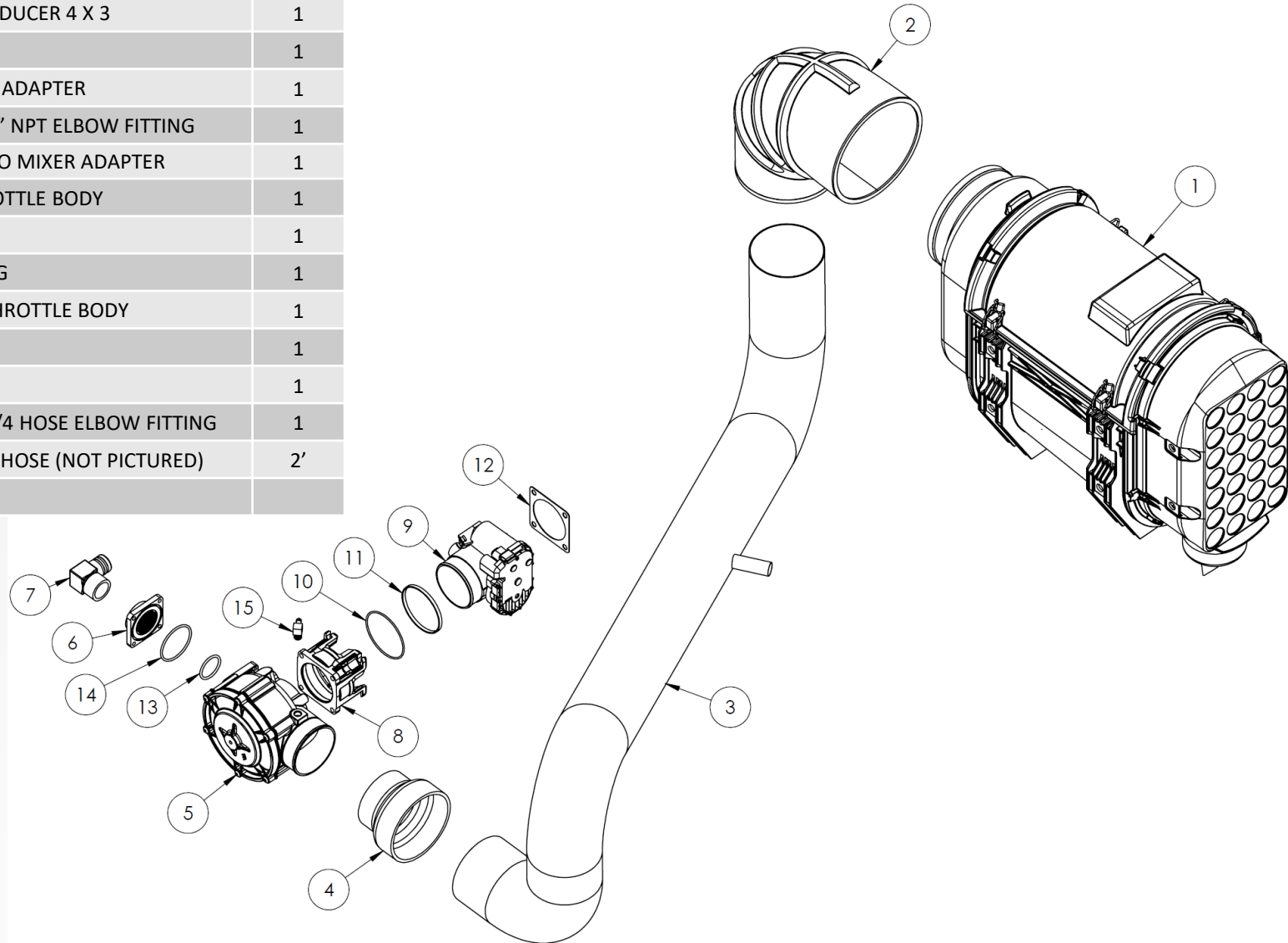


Intake Group – NA690 OPU

Item No	Part Number	Description	Qty
1	202184	AIR CLEANER ASSEMBLY	1
2	200779	BRACKET – AIR CLEANER	1
3	201483	ISOLATOR	2
4	201010	RAIN CAP	1
5	202185	3.5” – 3” REDUCER	1
6	200158	E330 MIXER	1
7	200286	E330 TO 1” NPT ADAPTER	1
8	203302	O-RING	1
9	203301	O-RING	1
10	201465	60MM THROTTLE TO E330 ADAPTER	1
11	200705	60MM THROTTLE BODY	1
12	201950	O-RING	1
13	201466	SPACER RING	1
14	202212	GASKET – THROTTLE BODY	1
15	201511	1” NPT X 1” HOSE FITTING – ELBOW	1

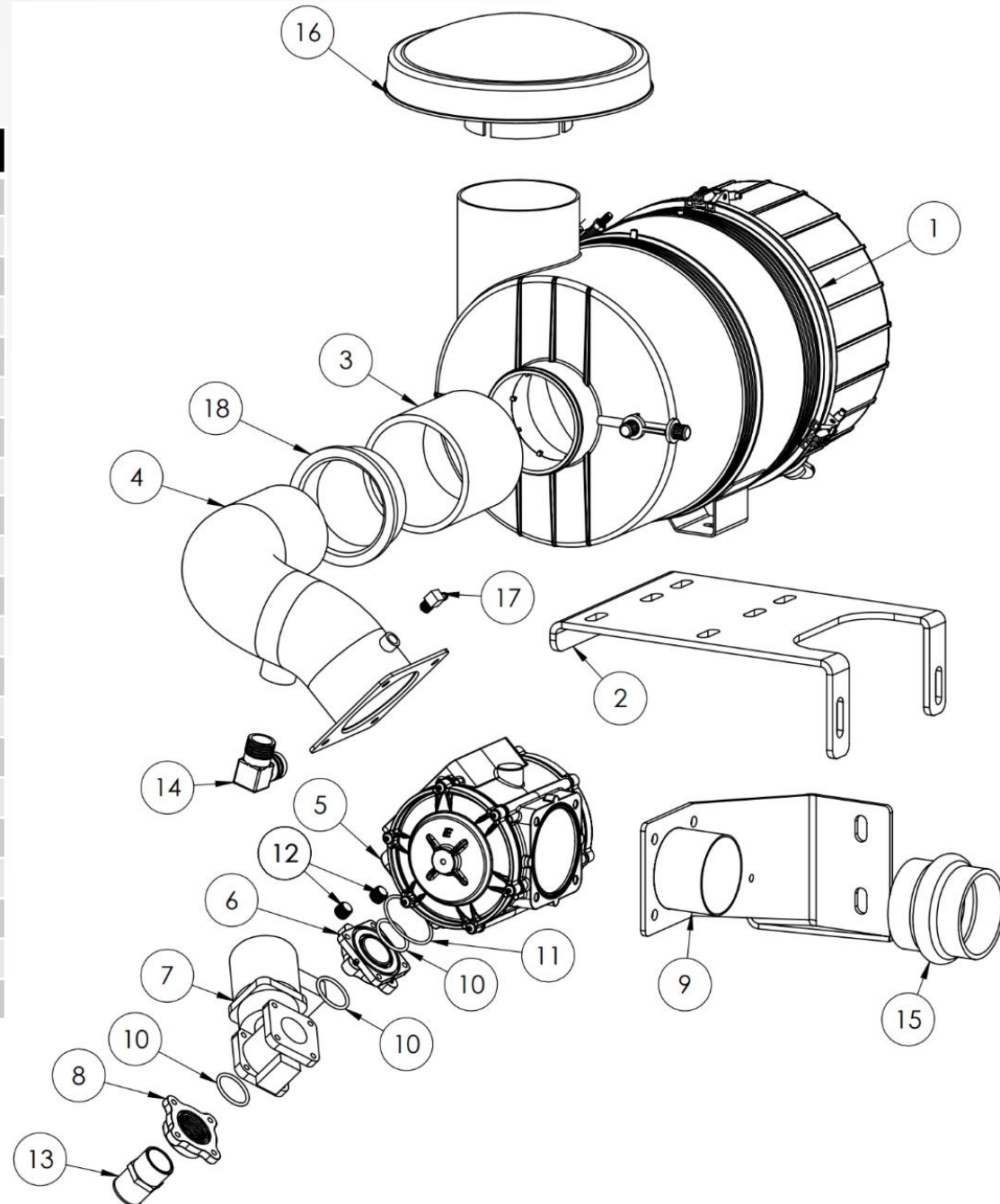
Intake Group – NA690 Enclosure

Item No	Part Number	Description	Qty
1	202448	AIR CLEANER	1
2	203712	ELBOW – REDUCER	1
3	203711	AIR INTAKE PIPE	1
4	203707	SILICONE REDUCER 4 X 3	1
5	200158	E330 MIXER	1
6	200286	E330 MIXER ADAPTER	1
7	201511	1" HOSE X 1" NPT ELBOW FITTING	1
8	201465	THROTTLE TO MIXER ADAPTER	1
9	200705	60MM THROTTLE BODY	1
10	201950	O-RING	1
11	201466	SPACER RING	1
12	202212	GASKET – THROTTLE BODY	1
13	203301	O-RING	1
14	203302	O-RING	1
15	201744	1/8 NPT X 1/4 HOSE ELBOW FITTING	1
16	202118	3/4 HEATER HOSE (NOT PICTURED)	2'



Intake Group – TA690 OPU

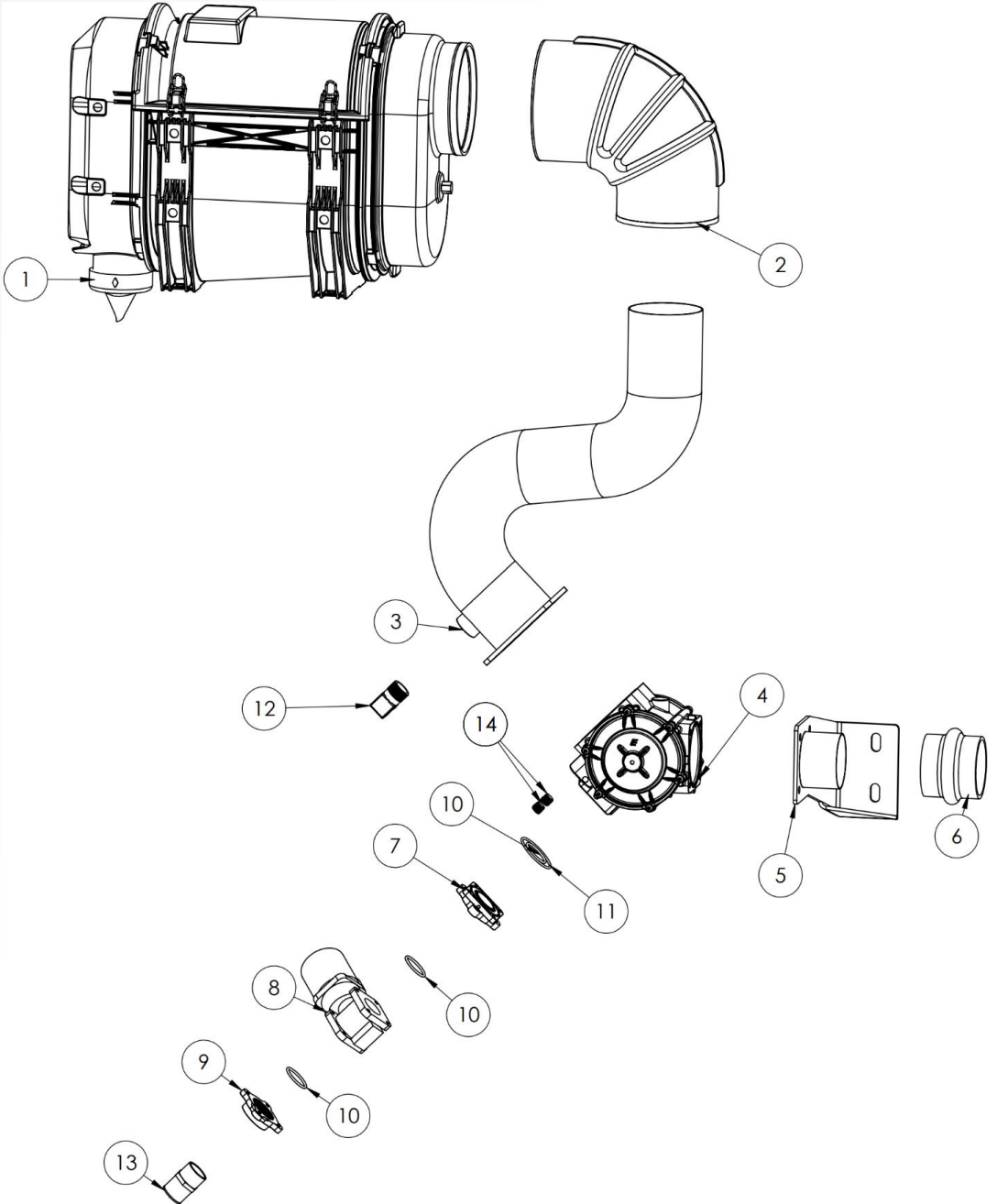
Item No	Part Number	Description	Qty
1	201050	AIR CLEANER ASSEMBLY	1
2	200779	BRACKET – AIR CLEANER	1
3	203448	STRAIGHT HOSE COUPLER – 4"	1
4	203209	PIPE – INTAKE OPU	1
5	201549	E480 MIXER	1
6	203177	ADAPTOR – INTAKE TO MIXER	1
7	201475	FUEL CONTROL VALVE	1
8	203178	FUEL CONTROL VALVE ADAPTOR	1
9	202181	BRACKET – MIXER SUPPORT	1
10	203301	O-RING	3
11	203302	O-RING	1
12	201957	1/4" NPT BRASS PIPE PLUE	2
13	203180	1" NPT X 1 1/4" GANN FITTING	1
14	201510	3/4" NPT X 1" HOSE FITTING – ELBOW	1
15	201065	3 X 3 SILICONE HUMP HOSE	1
16	201052	RAIN HAT	1
17	201744	1/8 NPT X 1/4 HOSE FITTING – ELBOW	1
18	201057	4" X 3.5" INSERT REDUCER	1



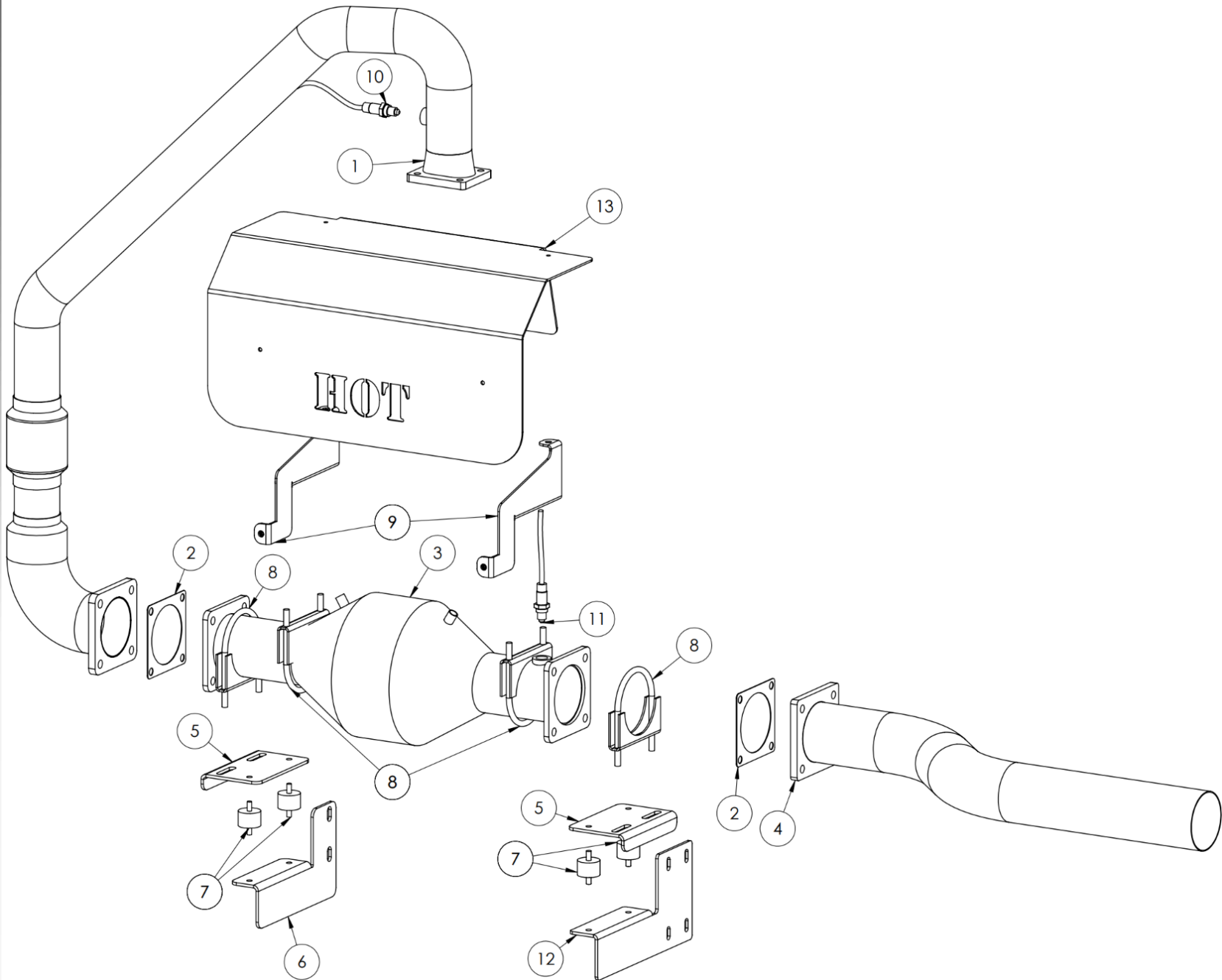
Intake Group – TA690 Enclosure



Item No	Part Number	Description	Qty
1	202448	AIR CLEANER	1
2	203712	ELBOW – REDUCER	1
3	203492	AIR INTAKE PIPE	1
4	201549	E480 MIXER	1
5	202181	MIXER SUPPORT BRACKET	1
6	201065	HUMP HOSE	1
7	203177	INTAKE TO MIXER ADAPTER	1
8	201475	FUEL CONTROL VALVE	1
9	203178	FUEL CONTROL VALVE ADAPTER	1
10	203301	O-RING	3
11	203302	O-RING	1
12	201510	1" BARB X 3/4" NPT ELBOW	1
13	203180	1" NPT X 1 1/4" BARB FITTING	1
14	201957	1/4" BRASS PIPE PLUG	2



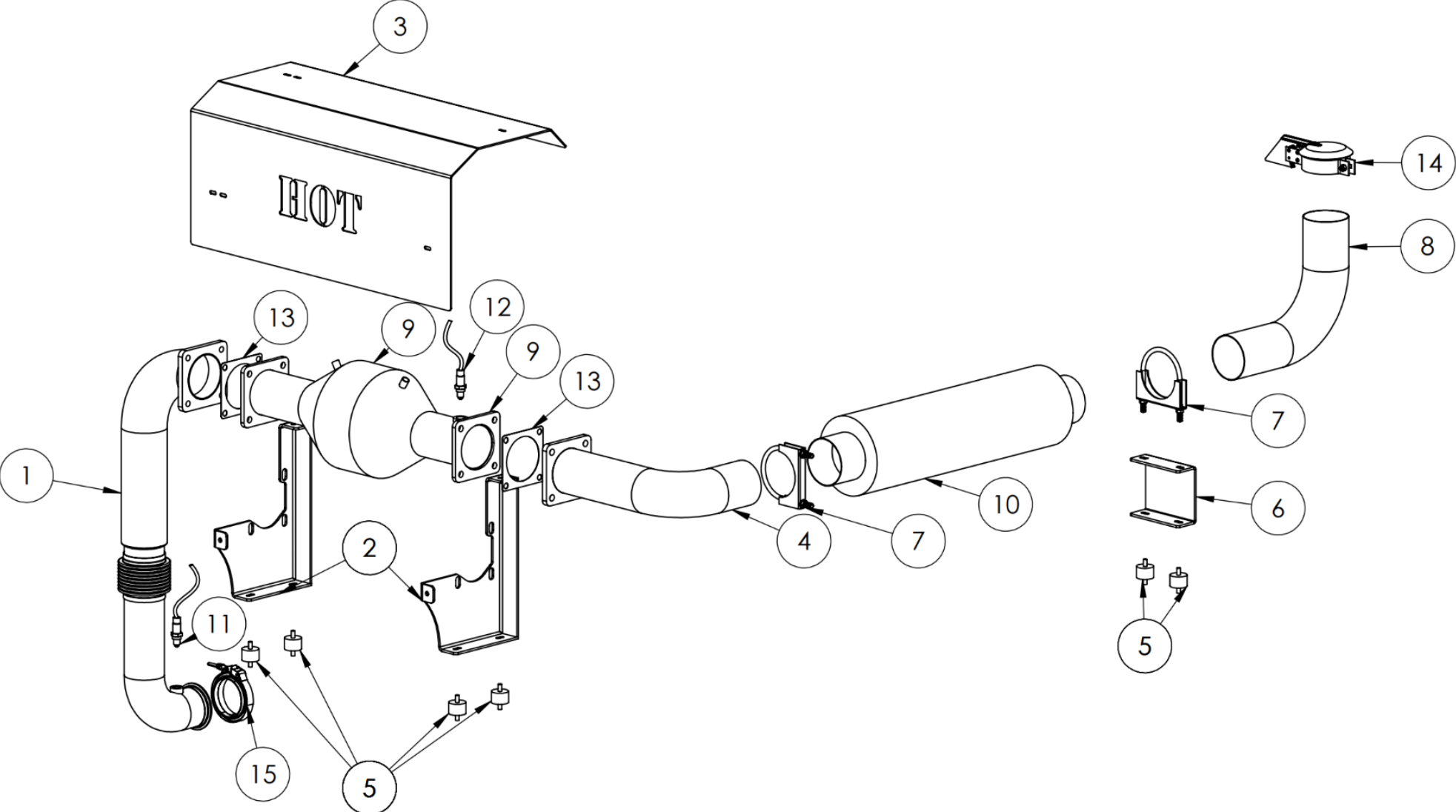
Exhaust Group – NA/TA OPU



Exhaust Group – NA/TA OPU

Item No	Part Number	Description	Qty
1*	203713	PRE-CAT PIPE (NA690 ONLY)	1
1*	203675	PRE-CAT PIPE (TA690 ONLY)	1
2	200875	CAT GASKET	2
3	200500	CATALYST	1
4	202410	POST-CAT PIPE	1
5	200774	BRACKET – EXHAUST ISOLATOR	2
6	203508	BRACKET – EXHAUST SUPPORT REAR	1
7	201487	HIGH TEMPERATURE ISOLATOR	4
8	201532	U-BOLT	4
9	200777	BRACKET – HEAT SHIELD	2
10	201279	UEGO O2 SENSOR	1
11	201280	POST-CAT O2 SENSOR	1
12	200776	BRACKET – EXHAUST SUPPORT FRONT	1
13	202177	HEAT SHIELD - CATALYST	1
NP	202087	V-BAND CLAMP (TA690 ONLY)	1
		NOT PICTURED	

Exhaust Group – NA/TA Enclosure

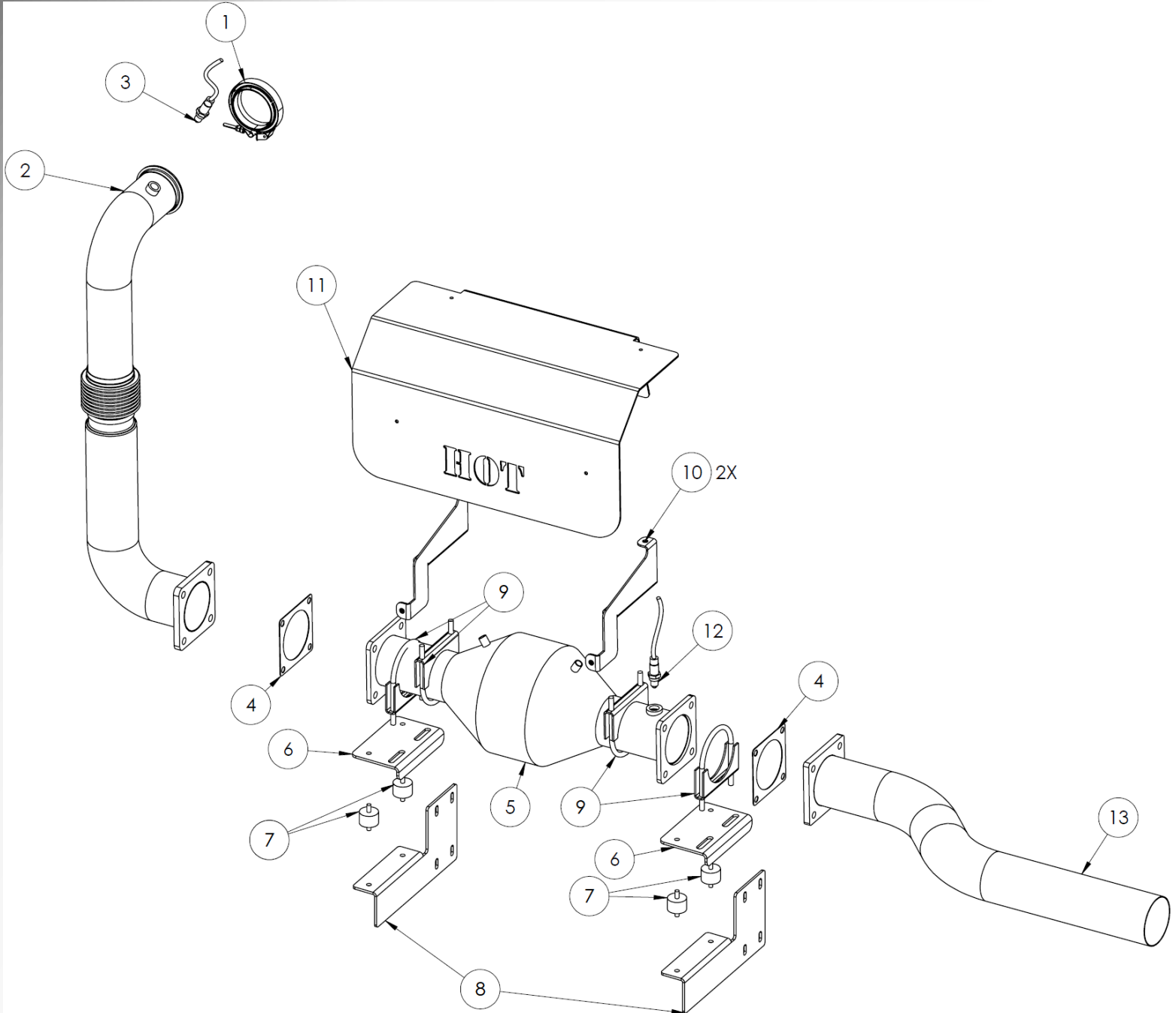


Exhaust Group – NA/TA Enclosure



Item No	Part Number	Description	Qty
1*	203467	PRE-CATALYST PIPE (690TA ONLY)	1
1*	203709	PRE-CATALYST PIPE (690NA ONLY)	1
2	203188	CATALYST MOUNT BRACKET	2
3	203189	HEAT SHIELD	1
4	203468	ROOF MOUNT POST CAT PIPE	1
5	201487	HIGH TEMP ISOLATOR	6
6	203469	ROOF MOUNT MUFFLER BRACKET	1
7	201532	U-BOLT	2
8	202232	TAIL PIPE	1
9	200500	CATALYST	1
10	202148	MUFFLER	1
11	201279	UEGO SENSOR	1
12	201280	POST CAT O2 SENSOR	1
13	200875	CATALYST GASKET	2
14	202147	RAIN CAP	1
15*	202087	V-BAND CLAMP (690TA ONLY)	1
15*	200877	GASKET – T4 FLANGE (690NA ONLY)	1

Exhaust Group – TA690M Standby

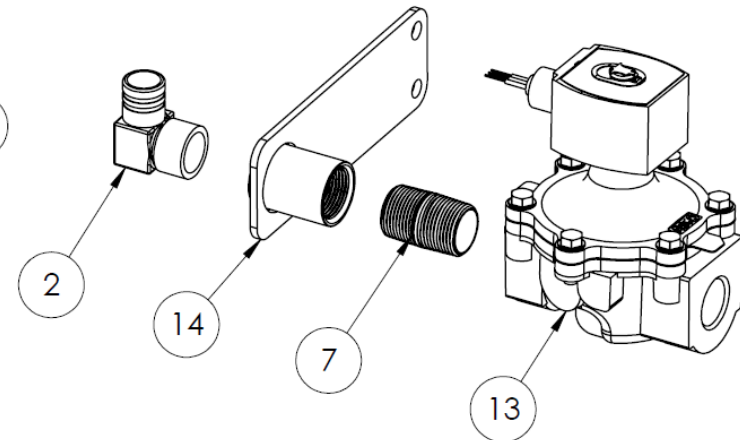
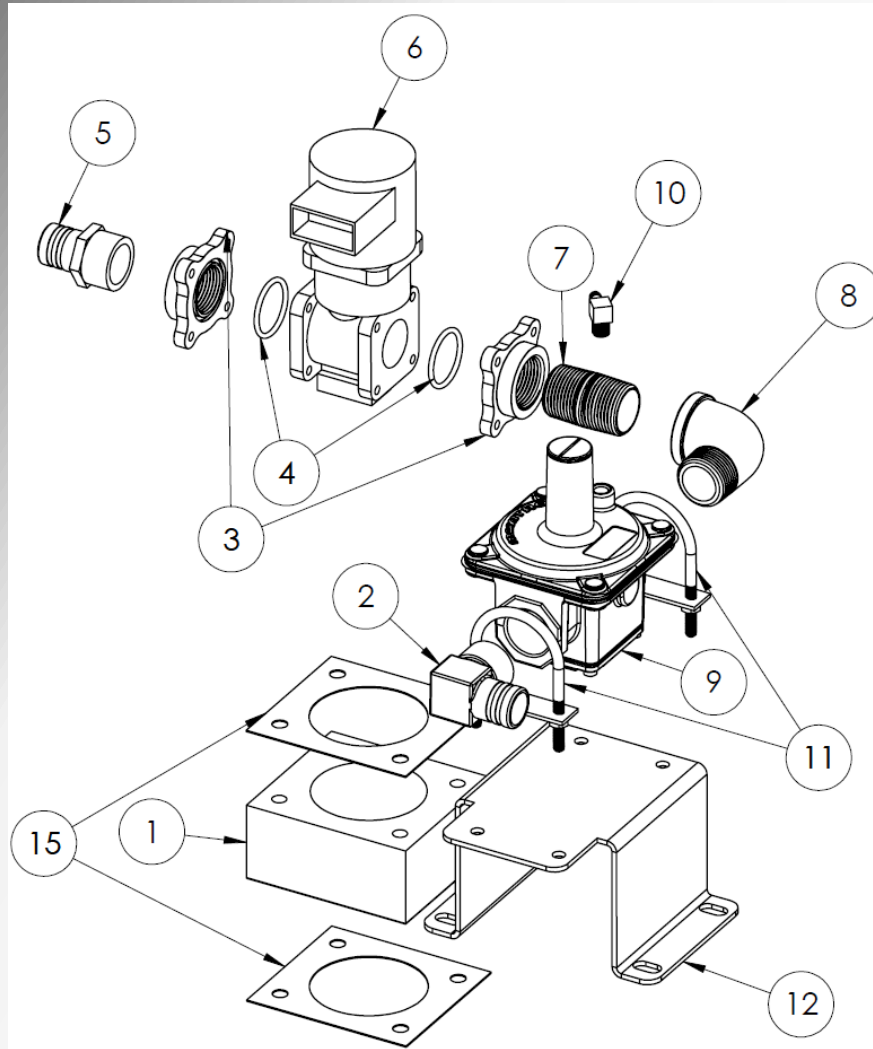


Exhaust Group – TA690M Standby



Item No	Part Number	Description	Qty
1	202087	V-BAND CLAMP	1
2	202409	PRE-CAT PIPE – STANDBY	1
3	201279	UEGO SENSOR	1
4	200875	CATALYST GASKET	2
5	200500	CATALYST	1
6	200774	BRACKET – EXHAUST ISOLATOR	2
7	201487	HIGH TEMP ISOLATOR	4
8	200776	BRACKET – EXHAUST SUPPORT	2
9	201532	U-BOLT	4
10	200777	BRACKET – HEATSHIELD	2
11	202177	HEATSHIELD	1
12	201280	POST-CAT O2 SENSOR	1
13	202410	POST-CAT PIPE	1

Single Fuel – NA690

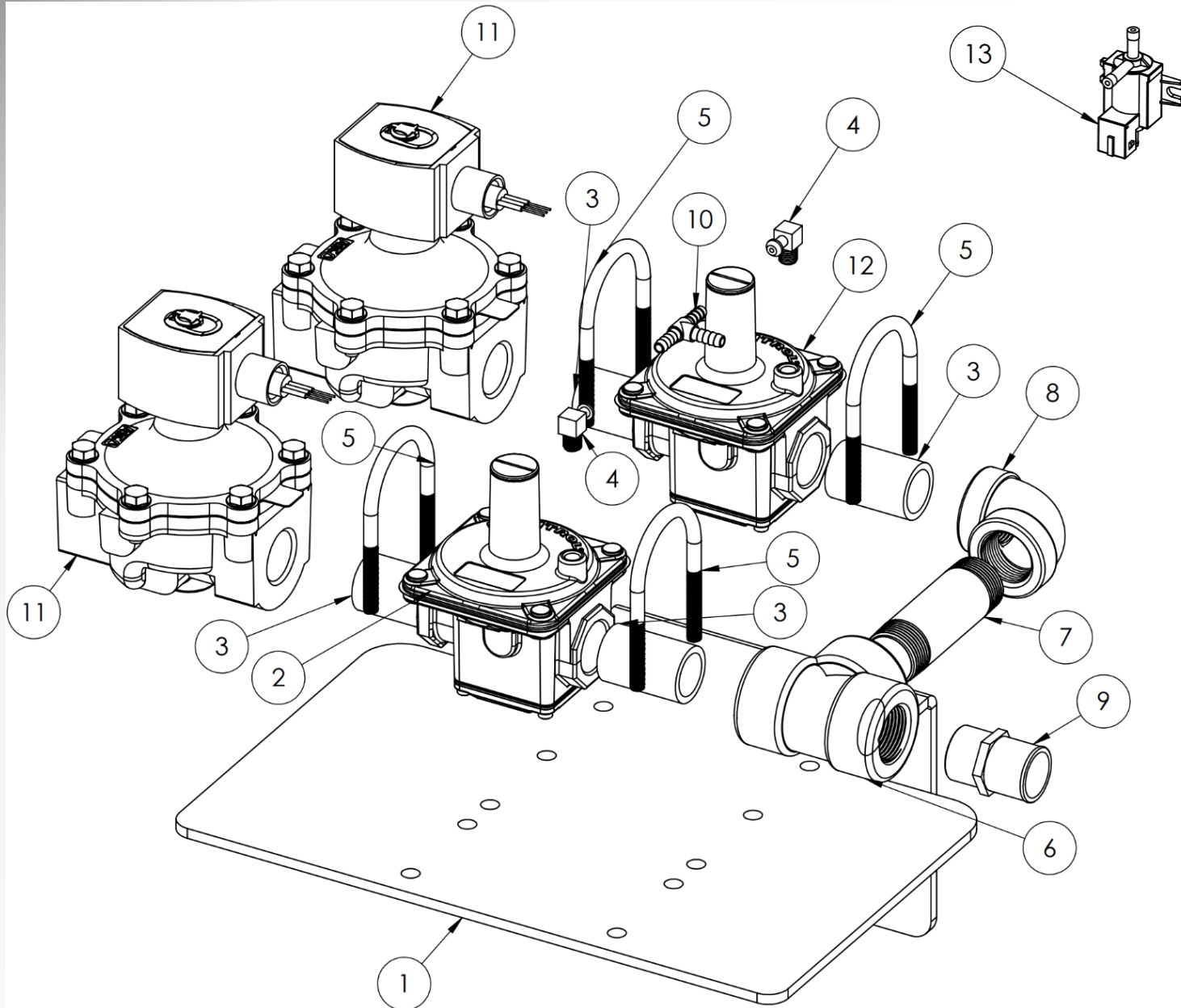


Single Fuel – NA690



Item No	Part Number	Description	Qty
1	200850	60MM TB TO MANIFOLD ADAPTER	1
2	201511	1" NPT – 1" HOSE ELBOW ADAPTER	2
3	203178	30MM TB ADAPTER	2
4	203301	ORING	2
5	201512	1" NPT – 1" HOSE ADAPTER	1
6	201475	FUEL CONTROL VALVE	1
7	201782	1" NPT PIPE NIPPLE	2
8	200189	1" NPT STREET ELL	1
9	201428	R600S REGULATOR	1
10	201744	1/8" NPT – 1/4" HOSE ELBOW	1
11	204092	U-BOLT	2
12	200770	BRACKET – REGULATOR	1
13	203172	LOCK-OFF	1
14	200769	BRACKET – LOCK-OFF	1
15	202246	GASKET – INTAKE ADAPTER	2
16	202126	1" VAPOR HOSE	2'
17	200666	1/4 VACUUM HOSE	1.25'

Bi-Fuel Group – TA690M SB, TA690K Prime, NA690

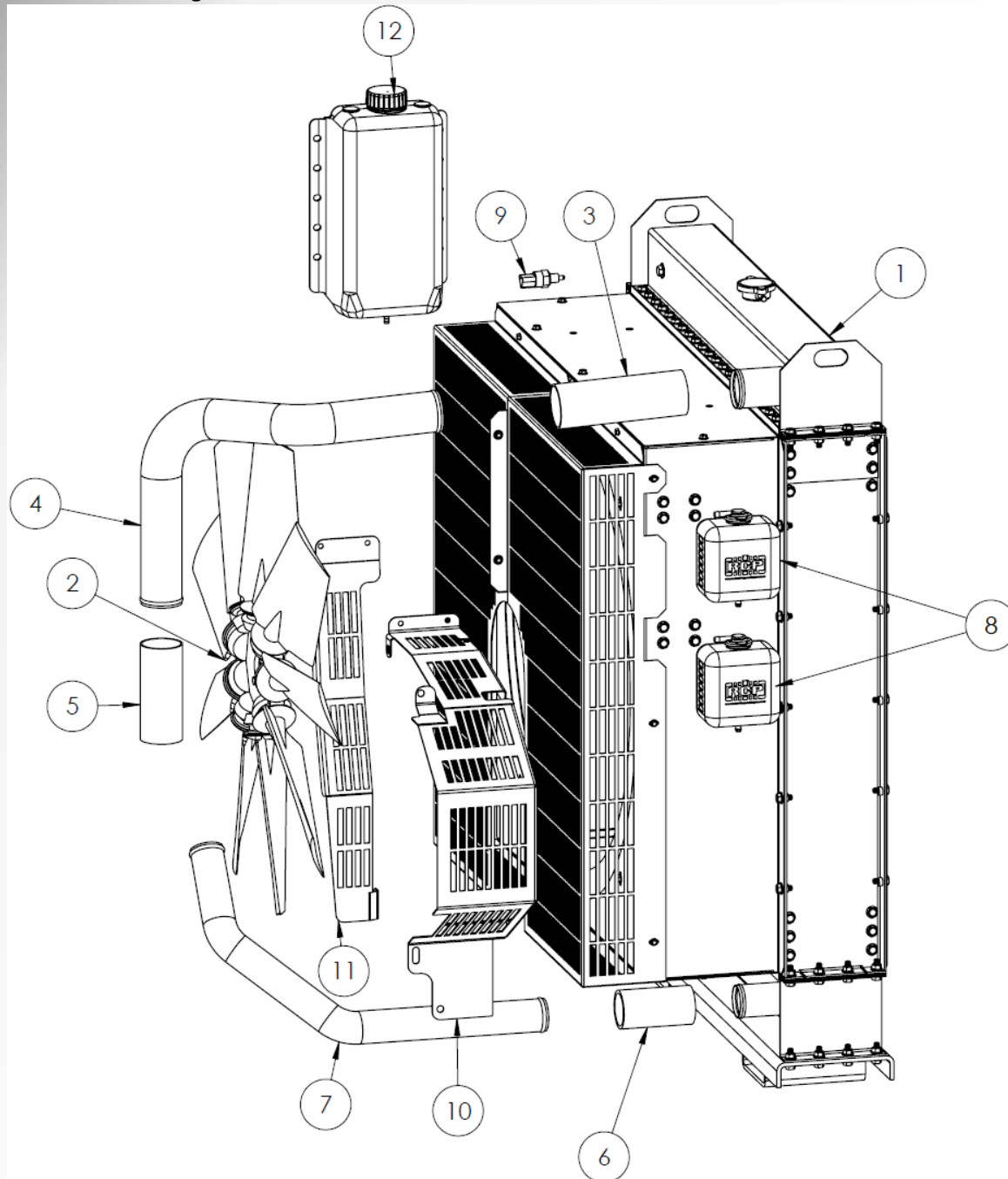


Bi-Fuel Group – TA690M SB, TA690K Prime, NA690

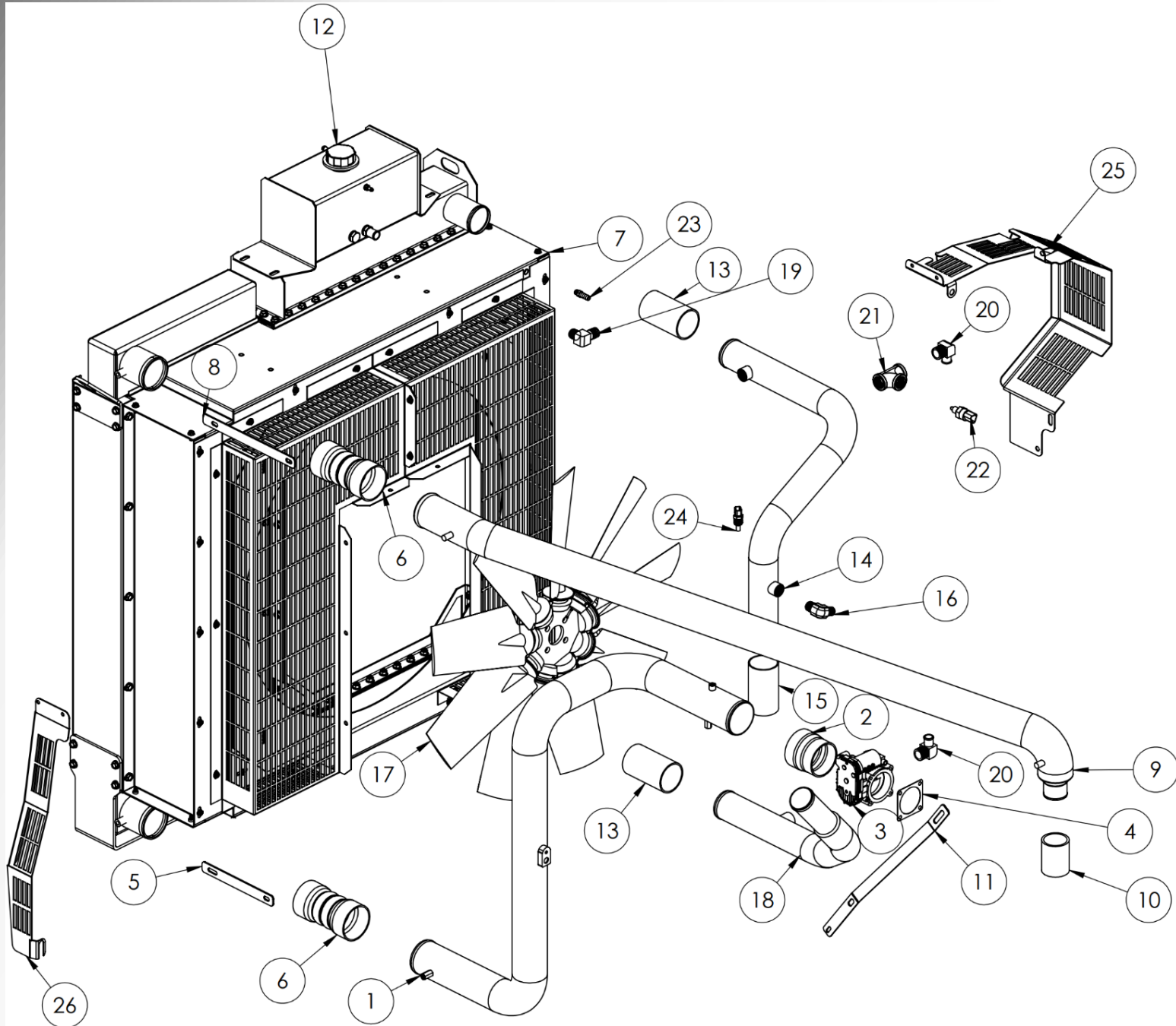


Item No	Part Number	Description	Qty
1	200771	REGULATOR BRACKET	1
2	201428	R600S NG REGULATOR	1
3	201782	1" X 2" NPT PIPE NIPPLE	4
4	201744	1/8" NPT X 1/4" HOSE ELBOW	2
5	201534	U-BOLT	4
6	203400	1" NPT TEE	1
7	203398	1" X 4" NPT PIPE NIPPLE	2
8	203399	1" NPT ELBOW	1
9	203180	1" NPT X 1 1/4" HOSE FITTING	1
10	203729	BRASS HOSE BARB TEE	1
11	203172	1" LOCK-OFF	2
12	203320	R600SZF LP REGULATOR	1
13	202218	BOOST CONTROL VALVE	1
	202127	1 1/4" VAPOR HOSE	2'
	200666	1/4" VACUUM HOSE	5'

Cooling Group – NA690 Prime



Cooling Group – TA690K Prime



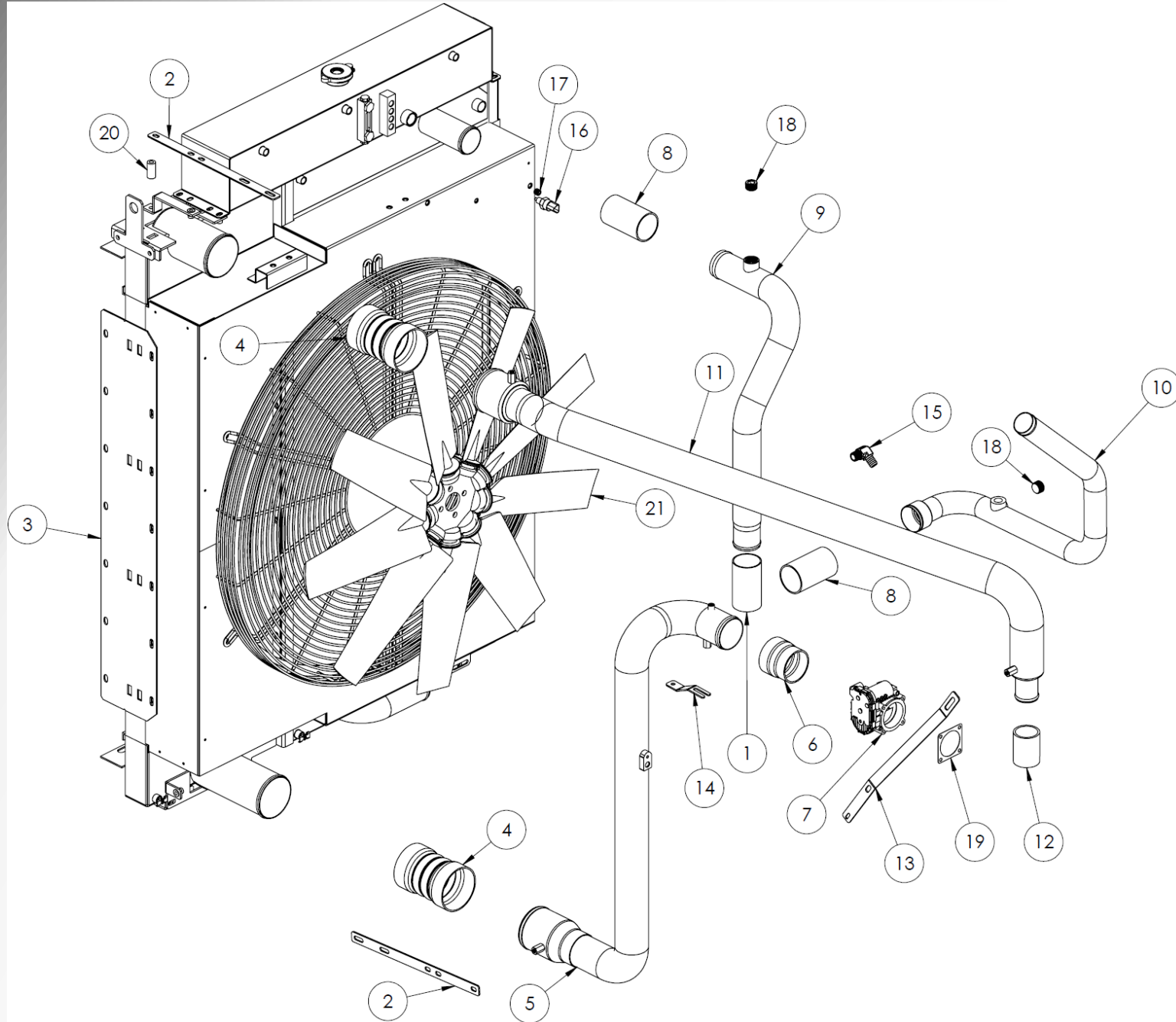
Cooling Group – TA690K Prime



Item No	Part Number	Description	Qty
1	201251	CAC PIPE - COLD	1
2	202086	SILICONE REDUCER	1
3	200705	THROTTLE BODY	1
4	202212	GASKET: THROTTLE BODY	1
5	203646	BRACKET: CAC PIPE - COLD	1
6	201060	SILICONE COUPLER	2
7	201234	RADIATOR	1
8	203644	BRACKET: CAC PIPE - HOT	1
9	201250	CAC PIPE - HOT	1
10	203277	SILICONE COUPLER	1
11	203647	BRACKET: CAC PIPE - HOT	1
12	201239	DEGAS TANK	1
13	204362	STICK HOSE	2
14	201248	RADIATOR PIPE - UPPER	1
15	200194	STICK HOSE	1
16	200190	5/8" HOSE X 1/2" NPT ELBOW	1
17	201037	FAN	1
18	201249	RADIATOR PIPE - LOWER	1
19	201505	3/4" HOSE X 1/2" NPT FITTING	1
20	201503	3/4" HOSE X 3/4" NPT FITTING	2

Item No	Part Number	Description	Qty
21	201777	3/4" NPT TEE	1
22	201388	LOW COOLANT ALARM SWITCH	1
23	201739	1/4" NPT X 3/8" BARB FITTING	1
24	202161	COOLANT TEMP SENSOR	1
25	200101	BELT GUARD – LARGE	1
26	200102	BELT GUARD – SMALL	1
		NOT PICTURED	
	202118	3/4" HEATER HOSE	5'
	202111	3/8" VACUUM HOSE	4.5'
	202265	1/8" NPT X 3/8 HOSE ELBOW	1
	200681	5/8" HEATER HOSE	1'
	203882	BANJO BOLT – M12-1.25	1
	202104	TURBO HOSE KIT	1
	202994	BANJO FITTING KIT – M18	2
	200916	DRAIN COCK – 1/8" NPT	1
	203129	O-RING – WATER SUPPLY FITTING	1
	203176	HOLD DOWN – WATER FITTING	1
	202756	3/4" NPT X 5/8" HOSE ELBOW	1
	201809	REDUCING BUSHING – 3/4" X 1/4"	1
	204126	RADIATOR CAP	1

Cooling Group – TA690M SB



Cooling Group – TA690M SB



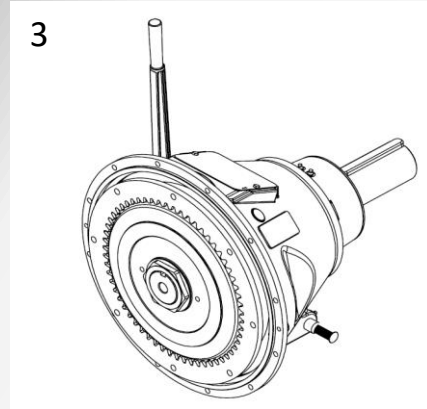
Item No	Part Number	Description	Qty
1	200194	STICK HOSE – 2 3/8"	5.5IN
2	203608	BRACKET – CAC STRAP	2
3	202304	RADIATOR	1
4	201061	SILICONE COUPLER – REINFORCED 4"	2
5	203135	CAC PIPE – COLD	1
6	202086	SILICONE REDUCER – 3" – 2.75"	1
7	200705	THROTTLE BODY – 60MM	1
8	204362	STICK HOSE – 2 1/2"	4.5IN
9	203133	WATER PIPE – UPPER	1
10	203134	WATER PIPE – LOWER	1
11	203136	CAC PIPE – HOT	1
12	203277	SILICONE COUPLER – REINFORCED 2"	1
13	203647	BRACKET – CAC STRAP	1
14	203645	BRACKET – CAC STRAP	1
15	200190	5/8" HOSE X 1/2" NTP FITTING – ELBOW	1
16	201388	LOW COOLANT SENSOR	1
17	201957	1/4" NPT PIPE PLUG	1
18	201962	3/4" NPT PIPE PLUG	2
19	202212	THROTTLE BODY GASKET	1
20	203607	SPACER	1
21	203123	PUSHER FAN	1

Item No	Part Number	Description	Qty
NOT PICTURED			
	201507	3/4" HOSE X 3/4" NPT FITTING	
	202756	5/8" HOSE X 3/4" NPT FITTING – ELBOW	
	200916	DRAIN COCK – 1/8 NPT	
	202637	BYPASS FITTING – EXHAUST MANIFOLD	
	203176	HOLD DOWN – BRASS WATER FITTING	
	200995	1/4" NPT X 3/8" HOSE FITTING	
	200681	HEATER HOSE – 5/8"	
	203129	O-RING	
	201508	3/4" NPT X 5/8" HOSE FITTING	

Miscellaneous Parts



1



3



7



11



2



4



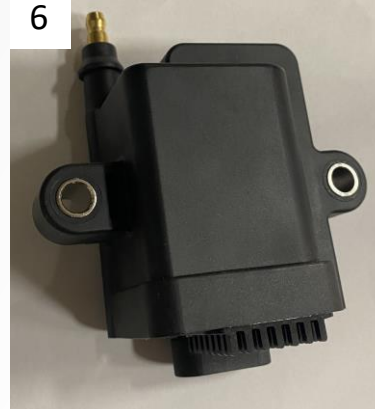
8



9



5



6



10

Miscellaneous Parts

Item No	Part Number	Description	Qty
1	201071	PLUG WIRE SET	1
2	201388	LOW COOLANT ALARM SWITCH	1
3	200014	PTO: SAE #2 PILOTLESS	1
4	202977	MOTOSERVICE DIAGNOSTIC KIT	1
5	201390	OIL PRESSURE SENSOR	1
6	200452	IGNITION COIL: 24V	6
7	200114	DYNAGEN INTERMEDIATE HARNESS	1
8	200119	DYNAGEN AUXILIARY HARNESS	1
9	203785/204017	BATTERY CABLE - POSITIVE	1
10	202078	BATTERY CABLE - NEGATIVE	1
11	203344	OIL DRAIN VALVE	1
12	201004	SPARK PLUG	6
13	200817	ECU / RELAY BOX BRACKET	1
14	201482	ISOLATOR – ECU BRACKET	2
15	200765	COIL BRACKET	1
16	203717	BATTERY DISCONNECT SWITCH	1

Service Kits



Kit No.	Contains	Description	Qty
204229		PISTON KIT	
	200627	PISTON	1
	200562	PISTON RING SET - ONE SET PER ENGINE	1
	200566	PISTON PIN	1
	204067	RETAINER CLIP - PISTON PIN	1
	204066	SEAL: CYLINDER LINER	3
	200621	CYLINDER LINER: BLUE	1
	204215	BOLT - CONNECTING ROD	2
204226		UPPER GASKET KIT	
	200539	GASKET CYLINDER HEAD	1
	200560	GASKET: INTAKE MANIFOLD	6
	202443	GASKET: EXHAUST MANIFOLD	6
	203380	GASKET: VALVE COVER	1
204167		TURBO KIT	
	204363	TURBO: 690TA	1
	200573	GASKET: MANIFOLD TO TURBO ADAPTER	1
	202211	GASKET: TURBO ADAPTOR	1
	203253	GASKET: TURBO OIL DRAIN LINE	1
	200877	GASKET: T4 FLANGE	1

Kit No.	Contains	Description	Qty
203498		CYLINDER HEAD REBUILD KIT	
	200553	VALVE: INTAKE	6
	200554	VALVE: EXHAUST	6
	200552	VALVE STEM SEAL: EXHAUST	12
	200539	GASKET CYLINDER HEAD	1
	200560	GASKET: INTAKE MANIFOLD	6
	202443	GASKET: EXHAUST MANIFOLD	6
	203380	GASKET: VALVE COVER	1
	200557	VALVE COLLET	24
	202492	VALVE GUIDE	12
	203660	VALVE SEAT INSERT - EXHAUST	6
	203659	VALVE SEAT INSERT - INTAKE	6
	200555	VALVE SPRING	12
	200556	VALVE SPRING RETAINER	12
	200538	BOLT: CYLINDER HEAD LONG	20
	200626	BOLT CYLINDER HEAD SHORT	6
	203648	CYLINDER HEAD - BARE, MACHINED	1